

# 10" Bench Drill Press

(Model SM300)



PART NO. 638517-00 10-30-05  
Copyright © 2005 Delta Machinery



To learn more about DELTA MACHINERY  
visit our website at: [www.deltamachinery.com](http://www.deltamachinery.com).

For Parts, Service, Warranty or other Assistance,  
please call **1-800-223-7278** (In Canada call **1-800-463-3582**).

**ESPAÑOL: PÁGINA 18**

**FRANÇAIS : PAGE 34**

# GENERAL SAFETY RULES

Woodworking can be dangerous if safe and proper operating procedures are not followed. As with all machinery, there are certain hazards involved with the operation of the product. Using the machine with respect and caution will considerably lessen the possibility of personal injury. However, if normal safety precautions are overlooked or ignored, personal injury to the operator may result. Safety equipment such as guards, push sticks, hold-downs, featherboards, goggles, dust masks and hearing protection can reduce your potential for injury. But even the best guard won't make up for poor judgment, carelessness or inattention. Always use common sense and exercise caution in the workshop. If a procedure feels dangerous, don't try it. Figure out an alternative procedure that feels safer. **REMEMBER:** Your personal safety is your responsibility.

This machine was designed for certain applications only. Delta Machinery strongly recommends that this machine not be modified and/or used for any application other than that for which it was designed. If you have any questions relative to a particular application, **DO NOT** use the machine until you have first contacted Delta to determine if it can or should be performed on the product.

**Technical Service Manager - Delta Machinery**  
4825 Highway 45 North Jackson, TN 38305  
(IN CANADA: 505 SOUTHGATE DRIVE, GUELPH, ONTARIO  
N1H 6M7)

**⚠ WARNING READ AND UNDERSTAND ALL WARNINGS AND OPERATING INSTRUCTIONS BEFORE USING THIS EQUIPMENT.** Failure to follow all instructions listed below, may result in electric shock, fire, and/or serious personal injury or property damage.

- FOR YOUR OWN SAFETY, READ INSTRUCTION MANUAL BEFORE OPERATING THE TOOL.** Learn the tool's application and limitations as well as the specific hazards peculiar to it.
- KEEP GUARDS IN PLACE** and in working order.
- ALWAYS WEAR EYE PROTECTION.** Wear safety glasses. Everyday eyeglasses only have impact resistant lenses; they are not safety glasses. Also use face or dust mask if cutting operation is dusty. These safety glasses must conform to ANSI Z87.1 requirements. **NOTE:** Approved glasses have Z87 printed or stamped on them.
- REMOVE ADJUSTING KEYS AND WRENCHES.** Form habit of checking to see that keys and adjusting wrenches are removed from tool before turning it "on".
- KEEP WORK AREA CLEAN.** Cluttered areas and benches invite accidents.
- DON'T USE IN DANGEROUS ENVIRONMENT.** Don't use power tools in damp or wet locations, or expose them to rain. Keep work area well-lighted.
- KEEP CHILDREN AND VISITORS AWAY.** All children and visitors should be kept a safe distance from work area.
- MAKE WORKSHOP CHILDPROOF** – with padlocks, master switches, or by removing starter keys.
- DON'T FORCE TOOL.** It will do the job better and be safer at the rate for which it was designed.
- USE RIGHT TOOL.** Don't force tool or attachment to do a job for which it was not designed.
- WEAR PROPER APPAREL.** No loose clothing, gloves, neckties, rings, bracelets, or other jewelry to get caught in moving parts. Nonslip footwear is recommended. Wear protective hair covering to contain long hair.
- SECURE WORK.** Use clamps or a vise to hold work when practical. It's safer than using your hand and frees both hands to operate tool.
- DON'T OVERREACH.** Keep proper footing and balance at all times.
- MAINTAIN TOOLS IN TOP CONDITION.** Keep tools sharp and clean for best and safest performance. Follow instructions for lubricating and changing accessories.
- DISCONNECT TOOLS** before servicing and when changing accessories such as blades, bits, cutters, etc.
- USE RECOMMENDED ACCESSORIES.** The use of accessories and attachments not recommended by Delta may cause hazards or risk of injury to persons.
- REDUCE THE RISK OF UNINTENTIONAL STARTING.** Make sure switch is in "OFF" position before plugging in power cord. In the event of a power failure, move switch to the "OFF" position.
- NEVER STAND ON TOOL.** Serious injury could occur if the tool is tipped or if the cutting tool is accidentally contacted.
- CHECK DAMAGED PARTS.** Before further use of the tool, a guard or other part that is damaged should be carefully checked to ensure that it will operate properly and perform its intended function – check for alignment of moving parts, binding of moving parts, breakage of parts, mounting, and any other conditions that may affect its operation. A guard or other part that is damaged should be properly repaired or replaced.
- DIRECTION OF FEED.** Feed work into a blade or cutter against the direction of rotation of the blade or cutter only.
- NEVER LEAVE TOOL RUNNING UNATTENDED. TURN POWER OFF.** Don't leave tool until it comes to a complete stop.
- STAY ALERT, WATCH WHAT YOU ARE DOING, AND USE COMMON SENSE WHEN OPERATING A POWER TOOL. DO NOT USE TOOL WHILE TIRED OR UNDER THE INFLUENCE OF DRUGS, ALCOHOL, OR MEDICATION.** A moment of inattention while operating power tools may result in serious personal injury.
- MAKE SURE TOOL IS DISCONNECTED FROM POWER SUPPLY** while motor is being mounted, connected or reconnected.
- THE DUST GENERATED** by certain woods and wood products can be injurious to your health. Always operate machinery in well ventilated areas and provide for proper dust removal. Use wood dust collection systems whenever possible.

**SAVE THESE INSTRUCTIONS.**

**Refer to them often and use them to instruct others.**



# ADDITIONAL SAFETY RULES FOR FOR DRILL PRESSES

**▲WARNING** READ AND UNDERSTAND ALL WARNINGS AND OPERATING INSTRUCTIONS BEFORE USING THIS EQUIPMENT. Failure to follow all instructions listed below, may result in electric shock, fire, and/or serious personal injury or property damage.

1. **DO NOT OPERATE THIS TOOL UNTIL** it is **assembled** and **installed** according to the instructions.
2. **OBTAIN ADVICE** from your **supervisor, instructor, or another qualified person** if you are not familiar with the operation of this tool.
3. **FOLLOW ALL WIRING CODES** and recommended electrical connections.
4. **NEVER START THE MACHINE BEFORE CLEARING THE TABLE** of all objects (tools, scrap pieces, etc.).
5. **NEVER START THE MACHINE** with the drill bit, cutting tool, or sander against the workpiece.
6. **TIGHTEN ALL LOCK HANDLES** before starting the machine.
7. **USE ONLY DRILL BITS, CUTTING TOOLS, SANDING DRUMS, OR OTHER ACCESSORIES** that have shanks of 1/2" in diameter or less.
8. **USE ONLY DRILL BITS, CUTTING TOOLS, OR SANDING DRUMS** that are not damaged.
9. **PROPERLY LOCK DRILL BIT, CUTTING TOOL, OR SANDING DRUM IN THE CHUCK** before operating this machine.
10. **USE RECOMMENDED SPEEDS** for all operations.
11. **AVOID AWKWARD OPERATIONS AND HAND POSITIONS** where a sudden slip could cause a hand to move into the cutting tool.
12. **KEEP ARMS, HANDS, AND FINGERS** away from the cutting tool.
13. **HOLD THE WORKPIECE FIRMLY AGAINST THE TABLE.** Do not attempt to drill a workpiece that does not have a flat surface against the table. Prevent the workpiece from rotating by clamping it to the table or by securing it against the drill press column.
14. **TURN THE MACHINE "OFF" AND WAIT FOR THE DRILL BIT, CUTTING TOOL, OR SANDER TO STOP TURNING** prior to cleaning the work area, removing debris, removing or securing workpiece, or changing the angle of the table. A moving drill bit, cutting tool, or sander can be dangerous.
15. **PROPERLY SUPPORT LONG OR WIDE** workpieces.
16. **NEVER PERFORM LAYOUT, ASSEMBLY,** or set-up work on the table/work area when the machine is running.
17. **TURN THE TOOL "OFF", disconnect the tool** from the power source before installing or removing accessories, before adjusting or changing set-ups, or when making repairs.
18. **DISCONNECT THE TOOL** from the power source, and clean the table/work area before leaving the tool. **LOCK THE SWITCH IN THE "OFF" POSITION** to prevent unauthorized use.
19. **ADDITIONAL INFORMATION** regarding the safe and proper operation of this tool is available from the Power Tool Institute, 1300 Summer Avenue, Cleveland, OH 44115-2851. Information is also available from the National Safety Council, 1121 Spring Lake Drive, Itasca, IL 60143-3201. Please also refer to the American National Standards Institute ANSI 01.1 Safety Requirements for Woodworking Machines and the U.S. Department of Labor OSHA 1910.213 Regulations.

## SAVE THESE INSTRUCTIONS.

**▲WARNING** Some dust created by power sanding, sawing, grinding, drilling, and other construction activities contains chemicals known to cause cancer, birth defects or other reproductive harm. Some examples of these chemicals are:

- lead from lead-based paints,
- crystalline silica from bricks and cement and other masonry products, and
- arsenic and chromium from chemically-treated lumber (CCA).

Your risk from these exposures varies, depending on how often you do this type of work. To reduce your exposure to these chemicals: work in a well ventilated area, and work with approved safety equipment, such as those dust masks that are specially designed to filter out microscopic particles.

- Avoid prolonged contact with dust from power sanding, sawing, grinding, drilling, and other construction activities. Wear protective clothing and wash exposed areas with soap and water. Allowing dust to get into your mouth, eyes, or lay on the skin may promote absorption of harmful chemicals.

**Use of this tool can generate and/or disperse dust, which may cause serious and permanent respiratory or other injury.** Always use NIOSH/OSHA approved respiratory protection appropriate for the dust exposure. Direct particles away from face and body.

**Wear appropriate hearing protection during use.** Under some conditions and duration of use, noise from this product may contribute to hearing loss.

## POWER CONNECTIONS

A separate electrical circuit should be used for your machines. This circuit should not be less than #12 wire and should be protected with a 20 Amp time lag fuse. If an extension cord is used, use only 3-wire extension cords which have 3-prong grounding type plugs and matching receptacle which will accept the machine's plug. Before connecting the machine to the power line, make sure the switch (s) is in the "OFF" position and be sure that the electric current is of the same characteristics as indicated on the machine. All line connections should make good contact. Running on low voltage will damage the machine.

**⚠ WARNING SHOCK HAZARD. DO NOT EXPOSE THE MACHINE TO RAIN OR OPERATE THE MACHINE IN DAMP LOCATIONS.**

## GROUNDING INSTRUCTIONS

**⚠ WARNING SHOCK HAZARD. THIS MACHINE MUST BE GROUNDED WHILE IN USE TO PROTECT THE OPERATOR FROM ELECTRIC SHOCK.** Your machine is wired for 120 Volt, 60 HZ alternating current. Before connecting the machine to the power source, make sure the switch is in the "OFF" position.

### 1. All grounded, cord-connected machines:

In the event of a malfunction or breakdown, grounding provides a path of least resistance for electric current to reduce the risk of electric shock. This machine is equipped with an electric cord having an equipment-grounding conductor and a grounding plug. The plug must be plugged into a matching outlet that is properly installed and grounded in accordance with all local codes and ordinances.

Do not modify the plug provided - if it will not fit the outlet, have the proper outlet installed by a qualified electrician.

Improper connection of the equipment-grounding conductor can result in risk of electric shock. The conductor with insulation having an outer surface that is green with or without yellow stripes is the equipment-grounding conductor. If repair or replacement of the electric cord or plug is necessary, do not connect the equipment-grounding conductor to a live terminal.

Check with a qualified electrician or service personnel if the grounding instructions are not completely understood, or if in doubt as to whether the machine is properly grounded.

Use only 3-wire extension cords that have 3-prong grounding type plugs and matching 3-conductor receptacles that accept the machine's plug, as shown in Fig. A.

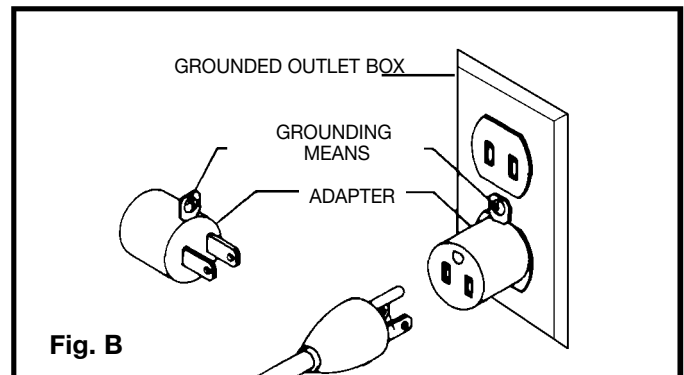
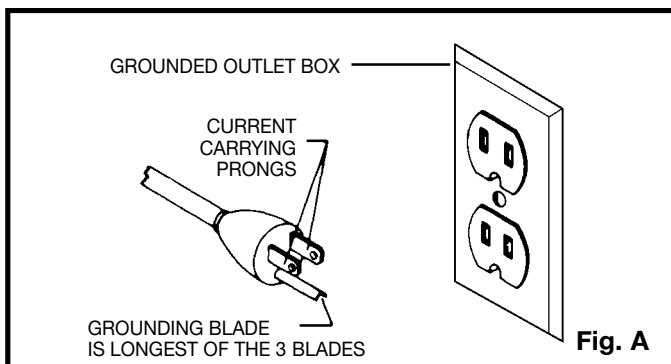
Repair or replace damaged or worn cord immediately.

### 2. Grounded, cord-connected machines intended for use on a supply circuit having a nominal rating less than 150 volts:

If the machine is intended for use on a circuit that has an outlet that looks like the one illustrated in Fig. A, the machine will have a grounding plug that looks like the plug illustrated in Fig. A. A temporary adapter, which looks like the adapter illustrated in Fig. B, may be used to connect this plug to a matching 2-conductor receptacle as shown in Fig. B if a properly grounded outlet is not available. The temporary adapter should be used only until a properly grounded outlet can be installed by a qualified electrician. The green-colored rigid ear, lug, and the like, extending from the adapter must be connected to a permanent ground such as a properly grounded outlet box. Whenever the adapter is used, it must be held in place with a metal screw.

**NOTE: In Canada, the use of a temporary adapter is not permitted by the Canadian Electric Code.**

**⚠ WARNING SHOCK HAZARD. IN ALL CASES, MAKE CERTAIN THE RECEPTACLE IN QUESTION IS PROPERLY GROUNDED. IF YOU ARE NOT SURE HAVE A QUALIFIED ELECTRICIAN CHECK THE RECEPTACLE.**



# EXTENSION CORDS

Use proper extension cords. Make sure your extension cord is in good condition and is a 3-wire extension cord which has a 3-prong grounding type plug and matching receptacle which will accept the machine's plug. When using an extension cord, be sure to use one heavy enough to carry the current of the machine. An undersized cord will cause a drop in line voltage, resulting in loss of power and overheating. Fig. C, shows the correct gauge to use depending on the cord length. If in doubt, use the next heavier gauge. The smaller the gauge number, the heavier the cord.

<b>MINIMUM GAUGE EXTENSION CORD</b>			
RECOMMENDED SIZES FOR USE WITH STATIONARY ELECTRIC MACHINES			
Ampere Rating	Volts	Total Length of Cord in Feet	Gauge of Extension Cord
0-6	120	up to 25	18 AWG
0-6	120	25-50	16 AWG
0-6	120	50-100	16 AWG
0-6	120	100-150	14 AWG
6-10	120	up to 25	18 AWG
6-10	120	25-50	16 AWG
6-10	120	50-100	14 AWG
6-10	120	100-150	12 AWG
10-12	120	up to 25	16 AWG
10-12	120	25-50	16 AWG
10-12	120	50-100	14 AWG
10-12	120	100-150	12 AWG
12-16	120	up to 25	14 AWG
12-16	120	25-50	12 AWG
12-16	120	GREATER THAN 50 FEET NOT RECOMMENDED	

Fig. C

# OPERATING INSTRUCTIONS

## FOREWORD

The ShopMaster Model SM300 is a 10" bench drill press with a 3.2 amp motor, and a flexible work lamp. The model SM300 can handle most types of drill press operations.

## UNPACKING AND CLEANING

Carefully unpack the machine and all loose items from the shipping container(s). Remove the protective coating from all unpainted surfaces. This coating may be removed with a soft cloth moistened with kerosene (do not use acetone, gasoline or lacquer thinner for this purpose). After cleaning, cover the unpainted surfaces with a good quality household floor paste wax.

**NOTICE: THE MANUAL COVER PHOTO ILLUSTRATES THE CURRENT PRODUCTION MODEL. ALL OTHER ILLUSTRATIONS ARE REPRESENTATIVE ONLY AND MAY NOT DEPICT THE ACTUAL COLOR, LABELING OR ACCESSORIES AND MAY BE INTENDED TO ILLUSTRATE TECHNIQUE ONLY.**

# DRILL PRESS PARTS

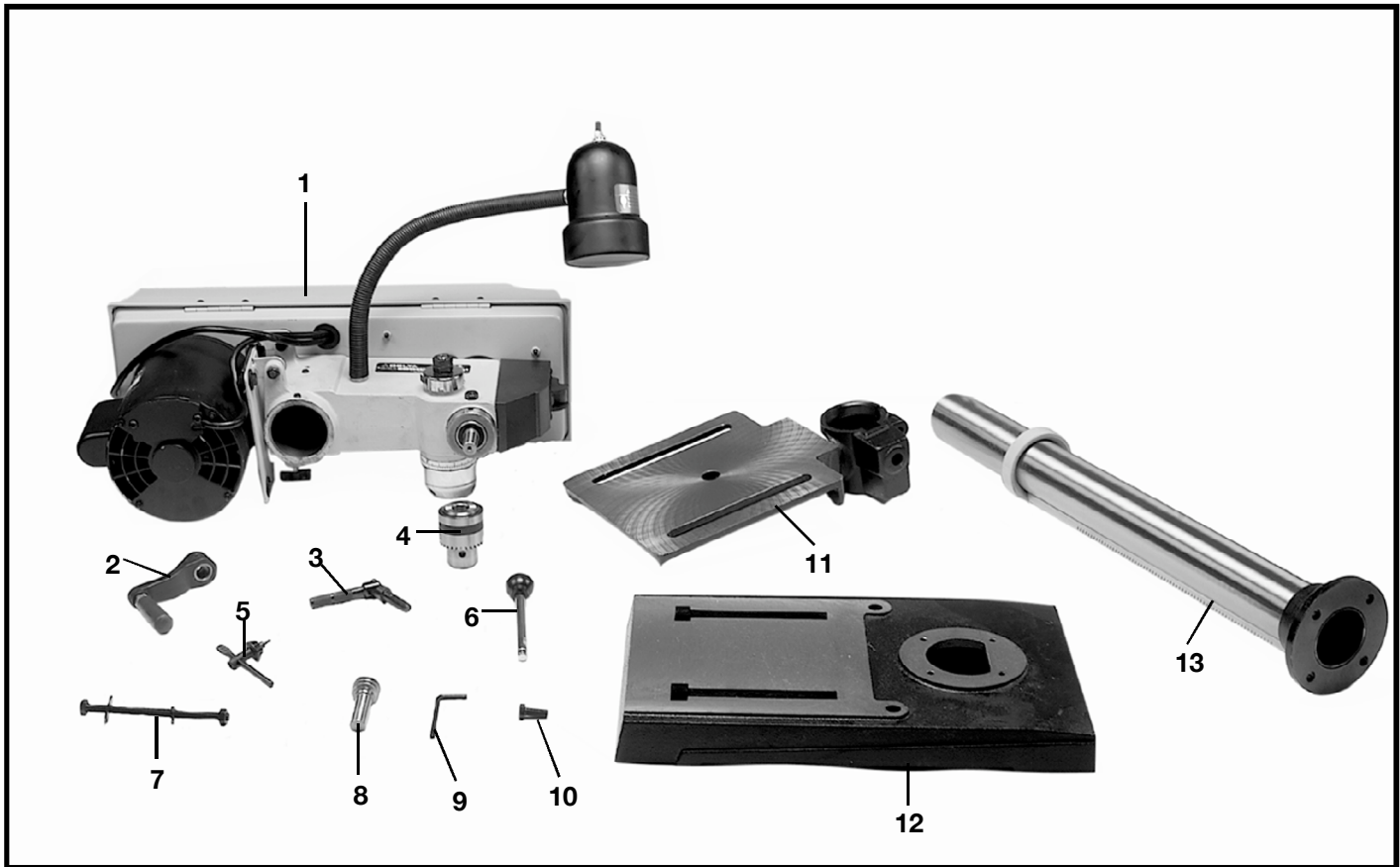


Fig. 2

- 1 - Drill Press Head and Motor
- 2 - Table Raising and Lowering Handle
- 3 - Table Clamp
- 4 - Chuck
- 5 - Chuck Key
- 6 - Pinon Shaft Handles (3)
- 7 - M8x1.25x125mm Carriage Head Screws (2), M8 Flat Washers (2), M8.1 Lock Washers (2), M8x1.25 Hex Nuts (2) (for fastening the base to a supporting surface)
- 8 - Worm Gear for Table Raising and Lowering
- 9 - Allen Wrenches (2)
- 10 - M8x1.25x25mm Hex Head Cap Screws (4)
- 11 - Table
- 12 - Base
- 13 - Column, Base Flange and Rack

## ASSEMBLY

**⚠ WARNING** For your own safety, do not connect the machine to the power source until the machine is completely assembled and you read and understand the entire instruction manual.

### ASSEMBLY TOOLS REQUIRED

- 1.) 2 hex wrenches - supplied
- 2.) soft-tip hammer

### ASSEMBLY TIME ESTIMATE

1 hour or less

1. Assemble the column (A) Fig. 3, to the base (B) using the four screws, three of which are shown at (C). Loosen set screw (D) and remove ring (E) and raising rack (F).

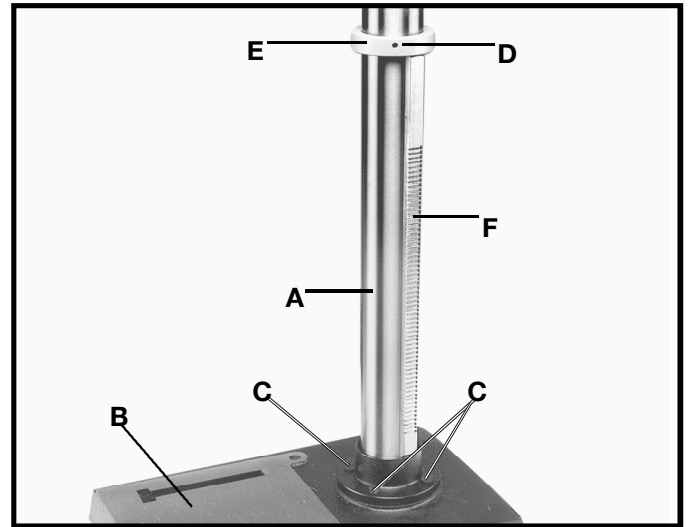


Fig. 3

2. Make certain worm gear (G) Figs. 4 and 5, is in place in table bracket (H) as shown.

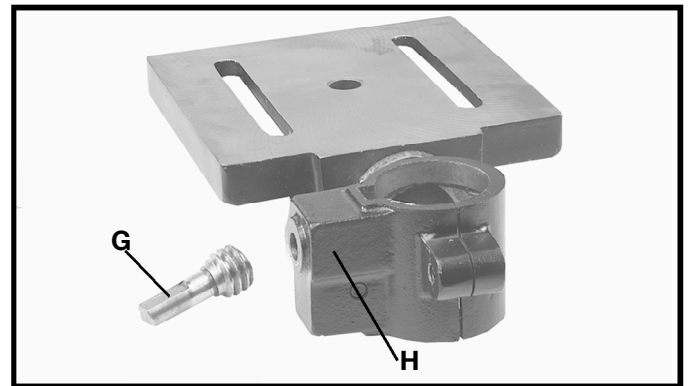


Fig. 4

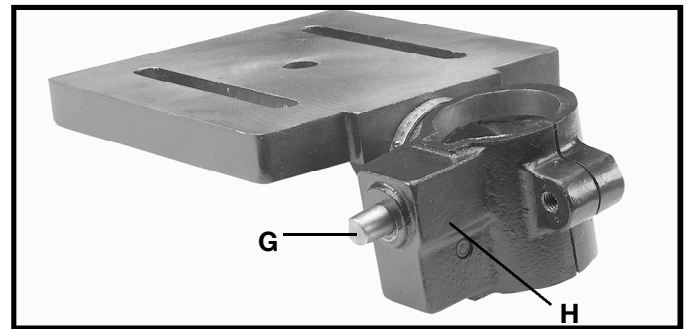


Fig. 5

3. Insert raising rack (F) Fig. 6, which was removed in **STEP 1**, into groove in table bracket making sure teeth of worm gear (G) located inside table bracket are engaged with teeth of raising rack (F).

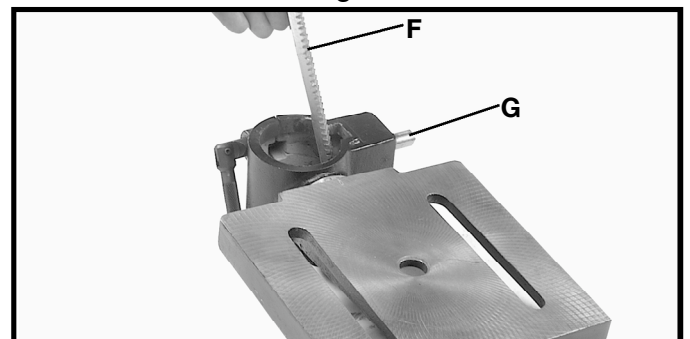


Fig. 6



4. Slide raising rack (F) Fig. 7, table and table bracket onto drill press column, as shown. Make sure bottom of raising rack (F) Fig. 8, is inside the flange (J) on drill press base.

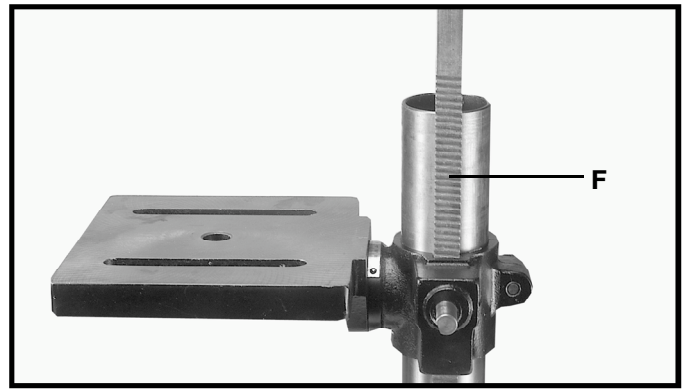


Fig. 7

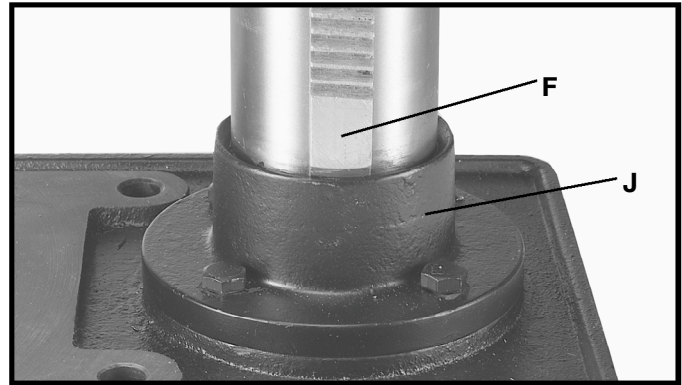


Fig. 8

5. Re-assemble ring (E) Fig. 9, which was removed in **STEP 1. IMPORTANT:** Bottom of ring (E) **MUST NOT** be pushed all the way down onto top of raising rack (F). **MAKE SURE** top of raising rack (F) is under bottom of ring (E) and that there is enough clearance to allow rack (F) to rotate around the column. **THEN TIGHTEN SET SCREW (D) BEING CAREFUL NOT TO OVERTIGHTEN.**

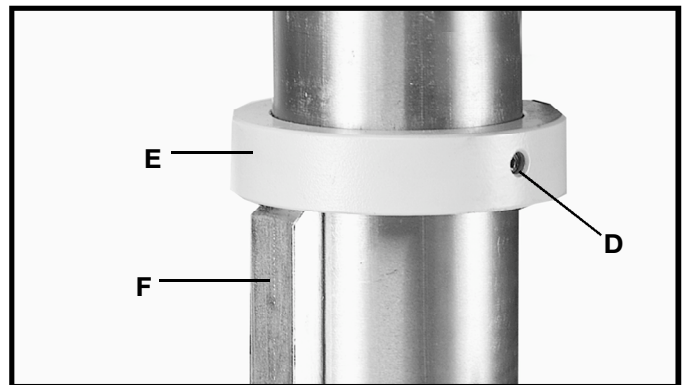


Fig. 9

6. Assemble table raising and lowering handle (K) Fig. 10, to worm gear shaft (G) and tighten screw (L) against flat on shaft.

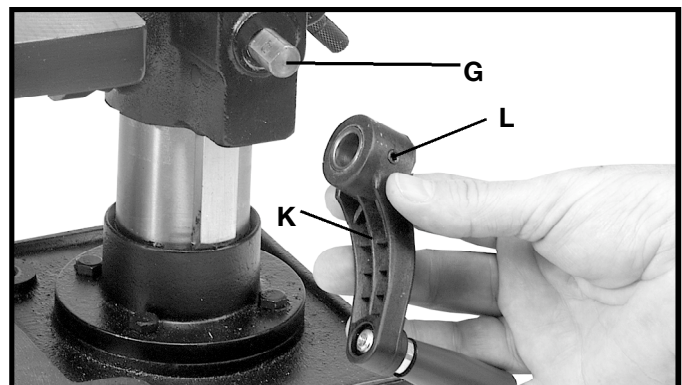


Fig. 10

7. Thread stud on clamp handle (M) Fig. 12, into hole in rear of table bracket, as shown.

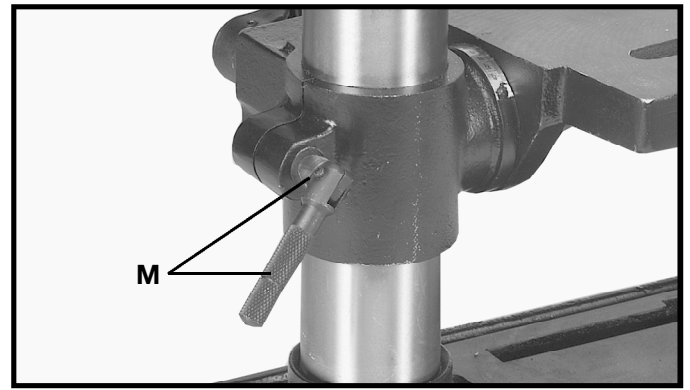


Fig. 12

8. Place the drill press head (N) Fig. 13, onto the column as far as it will go. Align head (A) Fig. 13A, to table (B), and base (C). Tighten the two head locking screws (O) Fig. 13, with wrench supplied.

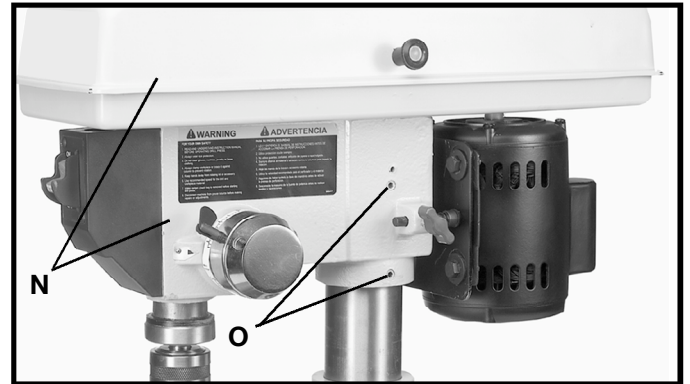


Fig. 13

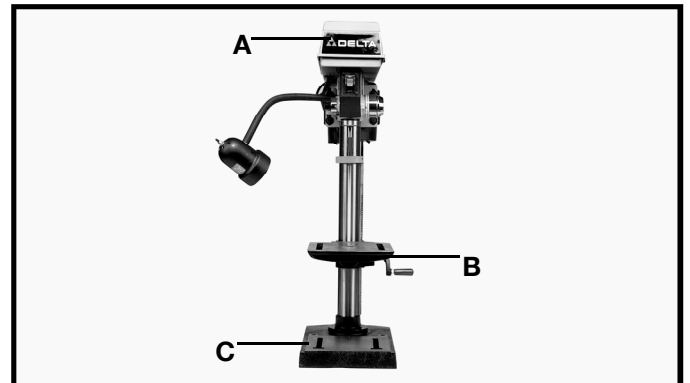


Fig. 13A

9. Thread the three pinion shaft handles (P) Fig. 14, into the three tapped holes located in the pinion shaft, as shown.

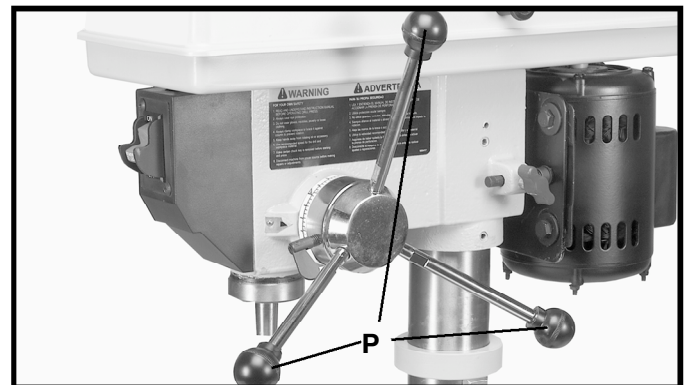


Fig. 14

10. **IMPORTANT:** Make certain the spindle taper (Q) Fig. 15, and tapered hole in chuck (R) are clean and free of any grease, lacquer or rust preventive coatings.

**NOTE:** Household oven cleaner can effectively remove any sub-stance from the spindle and chuck; however, carefully follow the manufacturer's safety rules concerning its use.

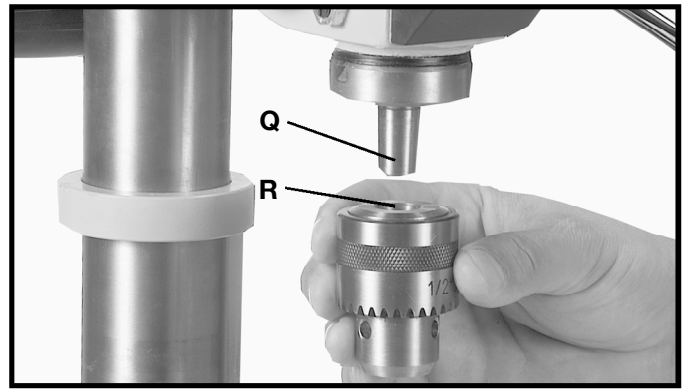


Fig. 15

11. **IMPORTANT:** Open the chuck jaws as wide as possible by turning the chuck sleeve (S) Fig. 16.

12. Holding chuck on taper of spindle, tap with a soft tip hammer (T) or a block of wood and hammer to set chuck, as shown in Fig. 16. **IMPORTANT:** To avoid damage to the chuck, **NEVER** drive the chuck onto the spindle with a metal hammer.

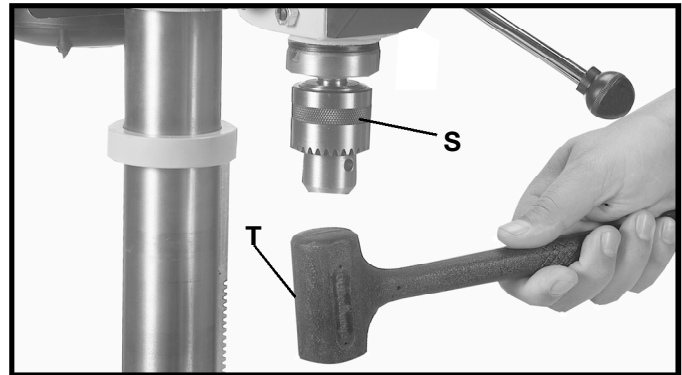


Fig. 16

## FASTENING DRILL PRESS TO SUPPORTING SURFACE

If during operation there is any tendency for the machine to tip over, slide or walk on the supporting surface, the machine base must be secured to the supporting surface with a M8x1.25x125mm carriage head screw, 8.5mm flat washer, 8.5mm lock washer, M8x1.25 hex nut, through the two holes (A) Fig. 17, located in the machine base.

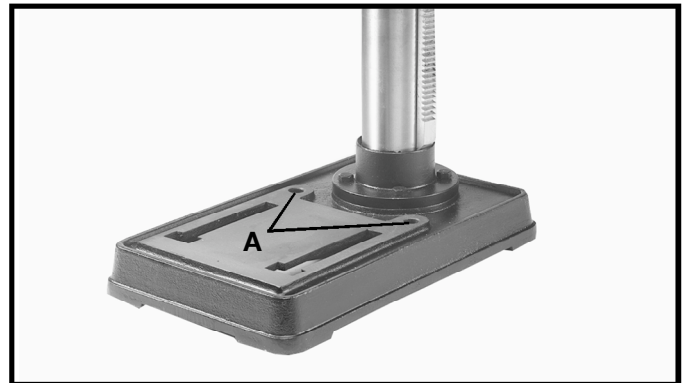


Fig. 17

## OPERATING CONTROLS AND ADJUSTMENTS

### STARTING AND STOPPING DRILL PRESS

The switch (A) Fig. 18, is located on the front of the drill press head. To turn the drill press “ON” move the switch up to the “ON” position. To turn the drill press “OFF” move the switch down to the “OFF” position.

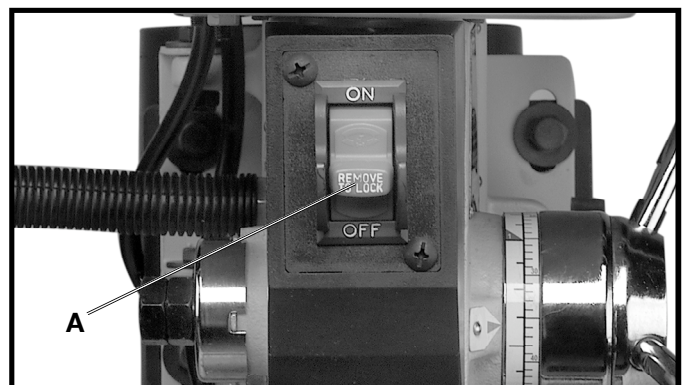


Fig. 18

## LOCKING SWITCH IN THE “OFF” POSITION

**IMPORTANT:** When the machine is not in use, the switch should be locked in the “**OFF**” position to prevent unauthorized use. This can be done by grasping the switch toggle (B) and pulling it out of the switch, as shown in Fig. 19. With the switch toggle (B) removed, the switch will not operate. However, should the switch toggle be removed while the drill press is operating, the switch can be turned “**OFF**” once, but cannot be restarted without inserting the switch toggle (B).

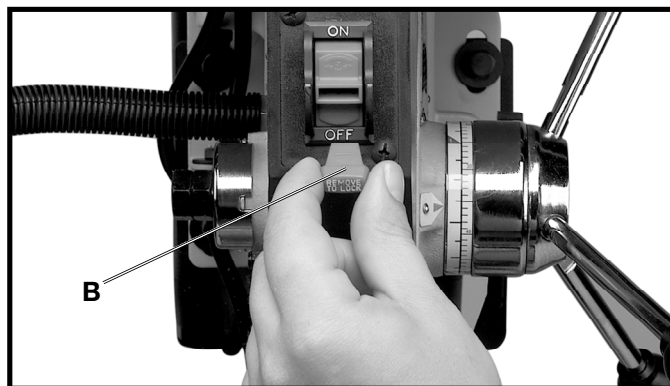


Fig. 19

## FLEXIBLE LAMP

The flexible lamp operates independently of the drill press. To turn the lamp “**ON**” and “**OFF**”, rotate switch (A) Fig. 19A.

**⚠ WARNING** To reduce the risk of fire, use 40 watt or less, 120 volt, reflector track type light bulb (not supplied). A standard household light bulb should not be used. The reflector track type light bulb should not extend below the lamp shade.

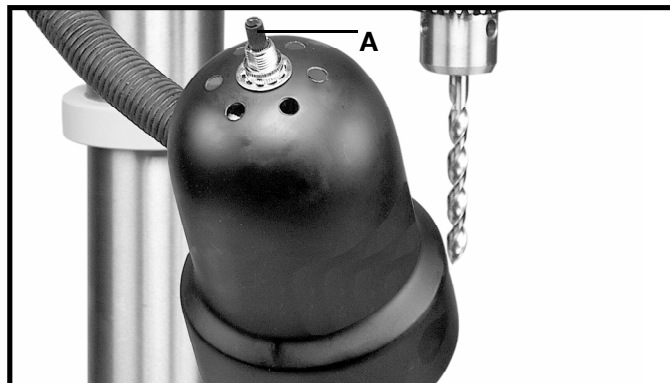


Fig. 19A

## TABLE ADJUSTMENTS

1. The table can be raised or lowered on the drill press column by loosening the table clamp (A) Fig. 20, and turning the table raising and lowering handle (B) Fig. 21. After the table is at the desired height, tighten clamp (A) Fig. 20. **NOTE:** Final positioning of the drill press table should always be from the bottom to the up position.

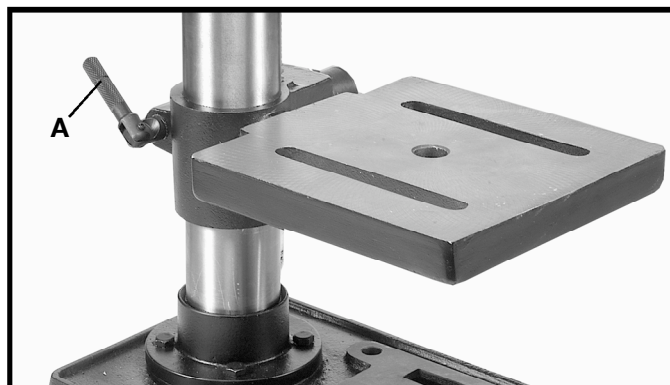


Fig. 20

2. The table can be rotated 360 degrees on the column by loosening clamp (A) Fig. 20, rotate table to desired position and tighten clamp (A).

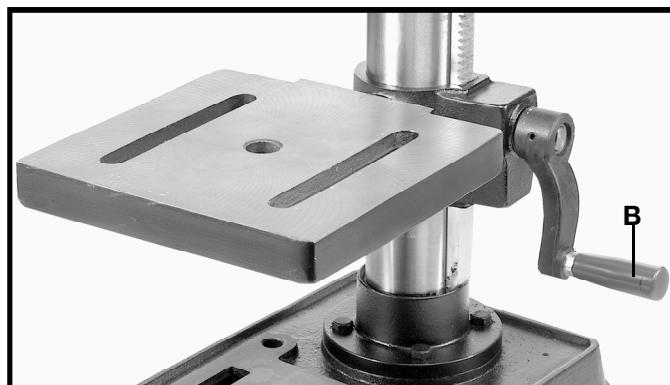


Fig. 21



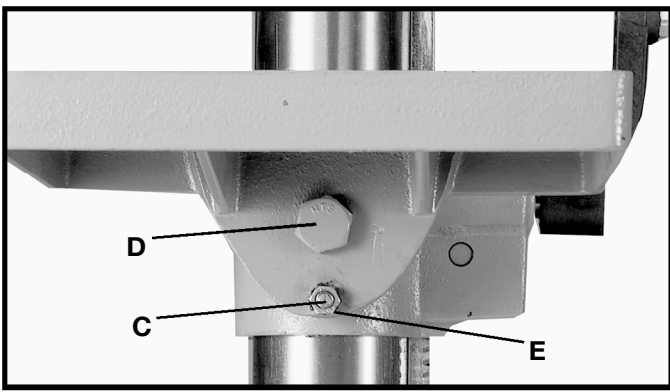


Fig. 22

3. The table can be tilted right or left by pulling out and removing table alignment pin (C) Fig. 22. **NOTE:** If pin (C) is difficult to remove, turn nut (E) clockwise to pull pin out of casting.

4. Fig. 23, illustrates the table alignment pin (C) removed. Loosen table locking bolt (D), tilt table to the desired angle and tighten bolt (D). When returning table to the level position, replace table alignment pin (C). This will position the table surface at 90 degrees to the spindle.

5. A tilt scale (E) Fig. 24, is provided on the table bracket casting to indicate the degree of tilt. A witness line and zero mark (F) are also provided on the table to line up with the scale (E).

## SPINDLE SPEEDS

Five spindle speeds of 620, 1100, 1720, 2340 and 3100 RPM are available with your drill press. Fig. 25, illustrates which step on the motor and spindle pulleys the belt must be placed on to obtain the five speeds available.

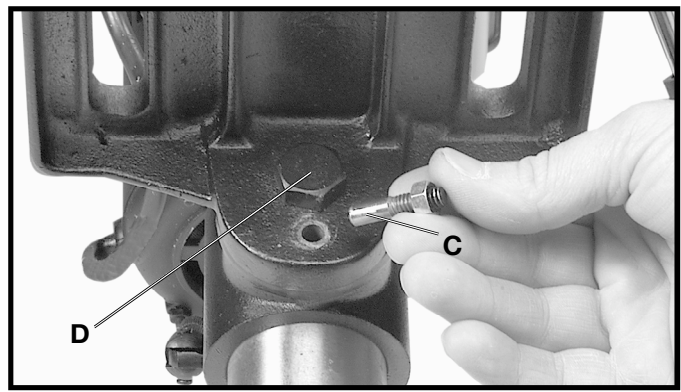


Fig. 23

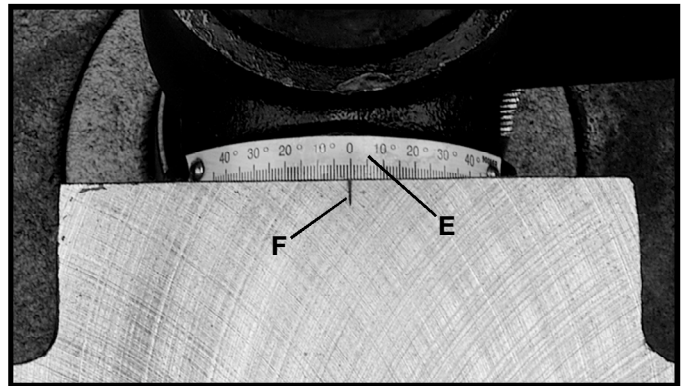


Fig. 24

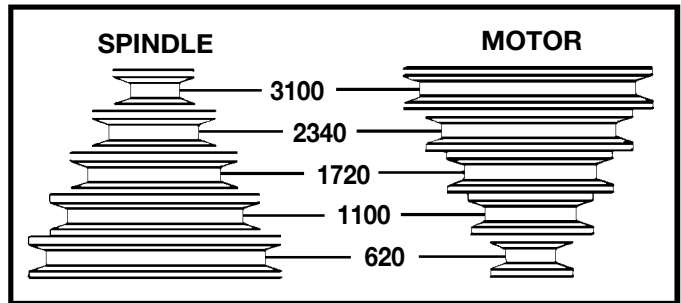


Fig. 25

## CHANGING SPEEDS AND ADJUSTING BELT TENSION

1. **DISCONNECT MACHINE FROM POWER SOURCE.**
2. Lift up the belt and pulley guard (A) Fig. 26.
3. Release belt tension by loosening tension lock knob (B) Fig. 26, and pivoting the motor (D) toward the front of the drill press.
4. While holding the motor toward the front of the drill press, position the belt (C) on the desired steps of the motor and spindle pulleys, as shown in Fig. 26.

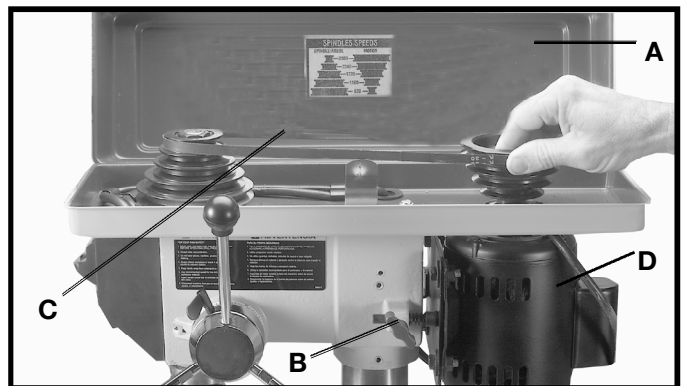


Fig. 26



5. After the belt is positioned on the desired steps of the motor and spindle pulleys, move motor (D) Fig. 26, to the rear until the belt is properly tensioned and tighten tension lock knob (B). The belt should be just tight enough to prevent slipping. Excessive tension will reduce the life of the belt, pulleys and bearings. Correct tension is obtained when the belt (C) can be flexed about 1" out of line midway between the pulleys using light finger pressure.

## DRILLING HOLES TO DEPTH

Where a number of holes are to be drilled to exactly the same depth, a depth stop is provided in the pinion shaft housing and is used as follows:

1. **DISCONNECT MACHINE FROM POWER SOURCE.**
2. Insert bit into chuck.
3. Lower the spindle until the pointer (C) Fig. 27, lines up with the mark on the scale (D) you wish the depth of the holes to be drilled. Then tighten lock screw (A). Return the spindle to the up position.
4. Place the material to be drilled on the drill press table. Raise the drill press table until the material to be drilled just touches the drill bit.
5. Drill a test hole to check the adjustment and readjust if necessary. All holes will then be drilled to the exact depth as indicated on scale (D) Fig. 27. **NOTE:** Scale (D) is calibrated in both inches and millimeters.

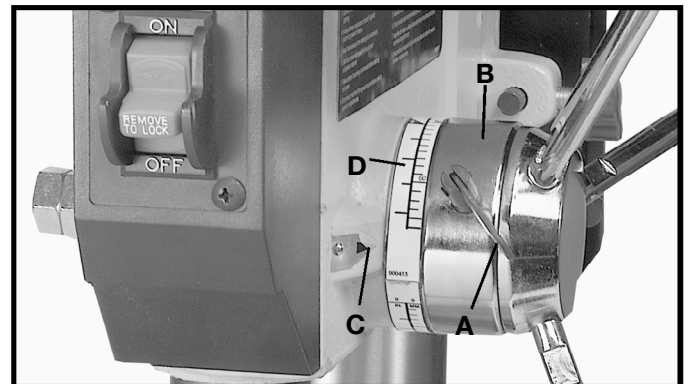


Fig. 27

## ADJUSTING SPINDLE RETURN SPRING

The spindle is automatically returned to its upper most position when the handle is released. It is recommended that the handle be allowed to slowly return to the top position after each hole has been drilled in the material. This spring has been properly adjusted at the factory and should not be disturbed unless absolutely necessary. To adjust the return spring, proceed as follows:

1. **DISCONNECT MACHINE FROM POWER SOURCE.**
2. Loosen nuts (B) and (E) Fig. 28. Make sure spring housing (A) stays engaged with head casting.
3. While **FIRMLY HOLDING** spring housing (A) Fig. 29 pull out housing and rotate it until boss (D) is engaged with the next notch on the housing. Turn the housing counterclockwise to increase or clockwise to decrease spring tension. Turn nut (E) until it contacts spring housing (A), then back nut (E) out a 1/4 turn from spring housing (A). Tighten nut (B) against nut (E), to hold the housing in place. **IMPORTANT: Inside nut (E) should not contact spring housing (A) when tightened.**

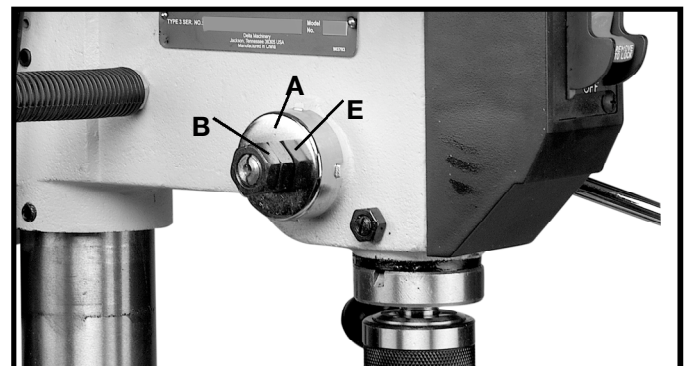


Fig. 28

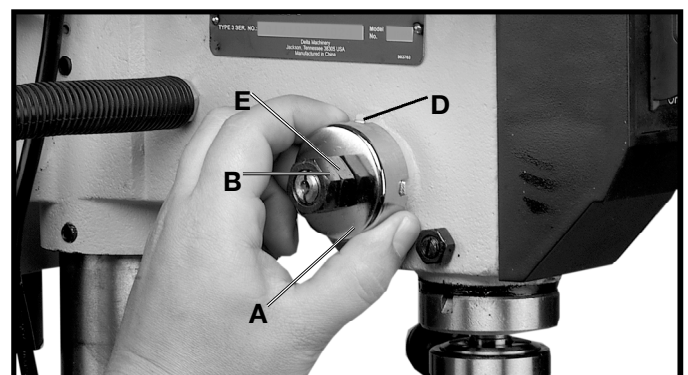


Fig. 29

# OPERATION

Your drill press is to be used with drill bits with a shank of 1/2" or less in diameter. The following will give the inexperienced operator a start on common drill press operations. Use scrap material for practice to get a feel of the machine before attempting regular work.

**⚠ WARNING** The use of accessories and attachments not recommended by Delta may result in risk of injury.

**IMPORTANT:** When the workpiece is long enough it should always be positioned on the table with one end against the left side of the column, as shown in Fig. 30. This prevents the workpiece from rotating with the drill bit or cutting tool, causing damage to the workpiece or personal injury to the operator. If it is not possible to support the workpiece against the column, the workpiece should always be fastened to the table using clamps or a vise.



Fig. 30

## INSTALLING AND REMOVING DRILL BITS

1. **DISCONNECT MACHINE FROM POWER SOURCE.**
2. Insert smooth end of drill bit (A) Fig. 31, into chuck (B), as far as it will go, and then back the bit out 1/16", or up to the flutes for small bits.
3. Make certain that the drill bit (A) Fig. 31, is centered in the chuck (B) before tightening the chuck with the key (C).
4. Turn the chuck key (C) Fig. 31, clockwise to tighten and counterclockwise to loosen the chuck jaws.
5. Tighten all three chuck jaws to secure the drill bit sufficiently so that it does not slip while drilling.
6. **MAKE SURE** chuck key (C) Fig. 31, is removed from chuck before starting drill press. Your chuck key (C) is equipped with a self-ejecting pin (D) which helps minimize the hazard of the key being left in the chuck.

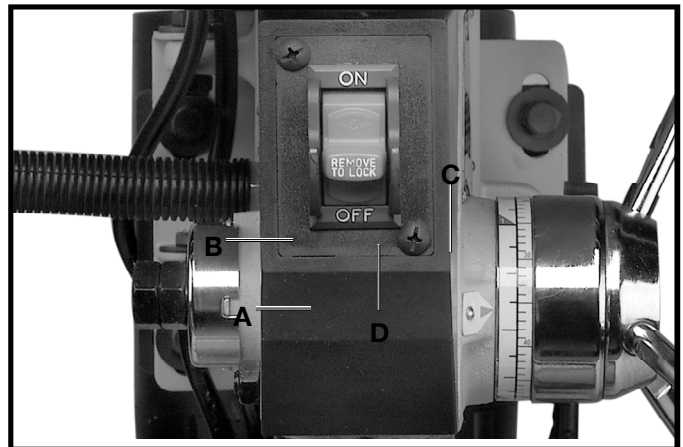


Fig. 31

# TROUBLESHOOTING

## CORRECT DRILLING SPEEDS

Factors which determine the best speed to use are: kind of material being worked, size of hole, type of drill or other cutter, and quality of cut desired.

**⚠️ WARNING** Use the recommended speed for the drill press bit and workpiece material.

## BORING IN WOOD

Twist drills, although intended for metal drilling, may also be used for boring holes in wood. However, machine spur bits are generally preferred for working in wood; they cut a flat bottom hole and are designed for removal of wood chips. Do not use hand bits which have a screw tip; at drill press speeds they turn into the wood so rapidly as to lift the work off the table and whirl it.

For through boring, line up the table so that the bit will enter the center hole to avoid damage to the table. Scribe a vertical line on the front of the column and a matching mark on the table bracket and the drill press head, so that the table and drill press head can be clamped in the center position at any height.

Feed slowly when the bit is about to cut through the wood to prevent splintering the bottom face. Use a scrap piece of wood as a base block under the work; this helps to reduce splintering and protects the point of the bit.

## DRILLING METAL

Use clamps to hold the work when drilling metal. The work should never be held in the bare hand; the drill bit may seize the work at any time, especially when breaking through the stock. If the piece is whirled out of the operator's hand, the operator may be injured. The drill bit will be broken if the work strikes the column.

The work must be clamped firmly while drilling; any tilting, twisting or shifting results not only in a rough hole, but also increases drill bit breakage. For flat work, lay the piece on a wooden base and clamp it firmly down against the table to prevent it from turning. If the piece is of irregular shape and cannot be laid flat on the table, it should be securely blocked and clamped.



## Delta Drill Press Speed Chart

Recommended Operating Speeds (in RPMs)

Accessory	Material					
	SOFTWOOD	HARDWOOD	ACRYLIC	BRASS	ALUMINIUM	STEEL
<b>TWIST DRILL BITS</b>						
1/16" - 3/16"	3000	3000	2500	3000	3000	3000
1.5mm - 5mm	3000	3000	2500	3000	3000	3000
1/4" - 3/8"	3000	1500	2000	1200	2500	1000
8mm - 10mm	3000	1500	2000	1200	2500	1000
7/16" - 5/8"	1500	750	1500	750	1500	800
11mm - 16mm	1500	750	1500	750	1500	800
11/16" - 1"	750	500	NR	400	1000	NR
17mm - 27mm	750	500	NR	400	1000	NR
<b>BRAD-POINT BITS</b>						
1/8"	1800	1200	1500	NR	NR	NR
1/4"	1800	1000	1500	NR	NR	NR
3/8"	1800	750	1500	NR	NR	NR
1/2"	1800	750	1000	NR	NR	NR
5/8"	1800	500	750	NR	NR	NR
3/4"	1400	250	750	NR	NR	NR
7/8"	1200	250	500	NR	NR	NR
1"	1000	250	200	NR	NR	NR
<b>FORSTNER BITS</b>						
1/4" - 3/8"	2400	700	250	NR	NR	NR
1/2" - 5/8"	2400	500	250	NR	NR	NR
3/4" - 1"	1900	500	250	NR	NR	NR
1 1/8" - 1 1/4"	1000	250	250	NR	NR	NR
1 3/8" - 2"	500	250	NR	NR	NR	NR
<b>SPADE BITS</b>						
1/4" - 1/2"	2000	1500	NR	NR	NR	NR
5/8" - 1"	1750	1500	NR	NR	NR	NR
1 1/8" - 1 1/2"	1300	1000	NR	NR	NR	NR
<b>SPADE BITS WITH SPURS</b>						
3/8" - 1"	2000	1800	500	NR	NR	NR

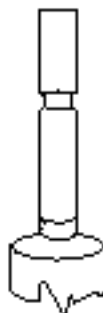
NR - Not Recommended



**TWIST DRILL BITS**



**BRAD-POINT BITS**



**FORSTNER BITS**



**SPADE BITS**



**SPADE BITS WITH SPURS**

A1478 - 10-18-03 Rev. 1

# ACCESSORIES

A complete line of accessories is available from your Delta Supplier, Porter-Cable · Delta Factory Service Centers, and Delta Authorized Service Stations. Please visit our Web Site [www.deltamachinery.com](http://www.deltamachinery.com) for a catalog or for the name of your nearest supplier.

**▲WARNING** Since accessories other than those offered by Delta have not been tested with this product, use of such accessories could be hazardous. For safest operation, only Delta recommended accessories should be used with this product.



## PARTS, SERVICE OR WARRANTY ASSISTANCE

All Delta Machines and accessories are manufactured to high quality standards and are serviced by a network of Porter-Cable · Delta Factory Service Centers and Delta Authorized Service Stations. To obtain additional information regarding your Delta quality product or to obtain parts, service, warranty assistance, or the location of the nearest service outlet, please call 1-800-223-7278 (In Canada call 1-800-463-3582).



### Two Year Limited Warranty

Delta will repair or replace, at its expense and at its option, any Delta machine, machine part, or machine accessory which in normal use has proven to be defective in workmanship or material, provided that the customer returns the product prepaid to a Delta factory service center or authorized service station with proof of purchase of the product within two years and provides Delta with reasonable opportunity to verify the alleged defect by inspection. Delta may require that electric motors be returned prepaid to a motor manufacturer's authorized station for inspection and repair or replacement. Delta will not be responsible for any asserted defect which has resulted from normal wear, misuse, abuse or repair or alteration made or specifically authorized by anyone other than an authorized Delta service facility or representative. Under no circumstances will Delta be liable for incidental or consequential damages resulting from defective products. This warranty is Delta's sole warranty and sets forth the customer's exclusive remedy, with respect to defective products; all other warranties, express or implied, whether of merchantability, fitness for purpose, or otherwise, are expressly disclaimed by Delta.



# Taladradora de Banco de 254 mm (Modelo SM300)



638517-00 10-30-05  
Copyright © 2005 Delta Machinery



Para obtener más información sobre Delta Machinery,  
visite nuestro sitio web en: [www.deltamachinery.com](http://www.deltamachinery.com)

Para las piezas, el servicio, la garantía o la otra ayuda  
llaman por favor **1-800-223-7278** (en la llamada **1-800-463-3582** de Canada).

# NORMAS DE SEGURIDAD GENERALES

La ebanistería puede ser peligrosa si no se acatan procedimientos seguros y apropiados. Al igual que con todo tipo de maquinaria, la operación del producto envuelve ciertos peligros. El uso de la máquina con respecto y precaución reducirá considerablemente la posibilidad del lesionamiento personal. Sin embargo, el hacer caso omiso de las precauciones normales de seguridad puede tener por resultado el lesionamiento del operario. El equipo de seguridad, así como los protectores, varillas de empuje, retenes, tablas de biselado, gafas, caretas contra el polvo y protección auditiva pueden reducir el lesionamiento potencial. No obstante, el mejor protector no puede compensar por la falta de juicio, la falta de cuidado o la distracción. Utilice siempre su sentido común y tenga cuidado en el taller. Si un procedimiento parece ser peligroso, no lo intente. Trate de ingeniar un procedimiento alternado que cuente con mayor grado de seguridad. **NO OLVIDE:** Usted es responsable de su propia seguridad.

Esta máquina ha sido diseñada para ciertos usos solamente. Delta Machinery le recomienda enérgicamente que no se modifique esta máquina ni que tampoco se le utilice para cualquier uso que no sea el indicado por su diseño. Si tiene cualquier pregunta con respecto a un uso específico, **NO UTILICE** la máquina hasta haberse comunicado con Delta para determinar si se puede o si se debe realizar sobre el producto.

**Technical Service Manager**

**Delta Machinery**

**4825 Highway 45 North**

**Jackson, TN 38305**

**EN CANADA: 505 SOUTHGATE DRIVE, GUELPH, ONTARIO N1H 6M7)**

**⚠ ADVERTENCIA** **LEA Y COMPRENDA TODAS LAS ADVERTENCIAS Y LAS INSTRUCCIONES DE OPERACIÓN ANTES DE UTILIZAR ESTE EQUIPO. El incumplimiento de cualquiera de las instrucciones enumeradas abajo puede provocar descarga eléctrica, incendio o lesiones personales graves o daños a la propiedad.**

- 1. PARA SU PROPIA SEGURIDAD, LEA EL MANUAL DE INSTRUCCIONES ANTES DE UTILIZAR LA HERRAMIENTA.** Aprenda los usos y limitaciones de la herramienta al igual que los peligros particulares que implican su uso.
  - 2. MANTENGA LOS RESGUARDOS EN SU SITIO** y en buen estado.
  - 3. SIEMPRE USE PROTECCION OCULAR.** Utilice gafas de seguridad (deben cumplir con ANSI Z87.1). Las gafas comunes sólo tienen lentes resistentes al impacto; no son gafas de seguridad. También haga uso de una careta o máscara si la operación de corte es polvorosa.
  - 4. QUITÉ LAS CLAVIJAS Y LLAVES DE AJUSTE.** Acostúmbrase a revisar que las clavijas y llaves de ajuste hayan sido quitadas de la herramienta antes de encenderla.
  - 5. MANTENGA LIMPIA SU AREA DE TRABAJO.** Las zonas y banquillos desordenados propician accidentes.
  - 6. NO LA UTILICE EN UN ENTORNO PELIGROSO.** No utilice herramientas eléctricas en sitios húmedos o mojados. No las exponga a la lluvia. Mantenga el área de trabajo bien alumbrada.
  - 7. MANTENGA A LOS NIÑOS Y VISITANTES ALEJADOS.** Todos los niños y visitantes deben ser alejados a una distancia segura del área de trabajo.
  - 8. HAGA SU TALLER A PRUEBA DE NIÑOS** con cerrojos, interruptores maestros o quitando las llaves de encendido.
  - 9. NO FUERCE LA HERRAMIENTA.** Realizará su trabajo mejor y será más segura a la tasa de operación para la cual fue diseñada.
  - 10. UTILICE LA HERRAMIENTA DEBIDA.** No fuerce la herramienta o aditamento a realizar una labor para la cual no fue diseñada.
  - 11. UTILICE LA INDUMENTARIA DEBIDA.** No vista ropa suelta, guantes, corbatas, sortijas, pulseras u otras prendas que puedan quedar atrapadas en las piezas móviles. Se recomienda el uso de calzado antiderrapante. Utilice gorros protectivos para contener el cabello largo.
  - 12. ASEGURE LA LABOR.** Utilice abrazaderas o un tornillo para detener su trabajo cuando sea práctico. Es más seguro que el uso de su mano y le deja ambas manos libres para usar la herramienta.
  - 13. NO SE EXTIENDA DEMASIADO.** Mantenga el equilibrio y posición establecida en todo momento.
  - 14. MANTENGA SUS HERRAMIENTAS EN BUEN ESTADO.** Mantenga las herramientas afiladas y limpias para un rendimiento mejor y más seguro. Siga las instrucciones para el engrase y cambio de accesorios.
  - 15. DESCONECTE LAS HERRAMIENTAS** antes de rendir servicio y cuando cambie accesorios tales como hojas, brocas, cuchillas, etc.
  - 16. UTILICE LOS ACCESORIOS RECOMENDADOS.** El uso de accesorios que no sean recomendados por Delta puede resultar en peligros o riesgos de lesionamiento personal.
  - 17. REDUZCA EL RIESGO DE ARRANQUES NO INTENCIONALES.** Asegúrese de que el interruptor esté en la posición de APAGADO antes de enchufar el cordón de potencia. En el acontecimiento de un apagón, mueva el interruptor al "OFF" coloque.
  - 18. NO SE PARE JAMAS SOBRE LA HERRAMIENTA.** Pueden sobrevenir heridas graves si la herramienta se inclina o si se hace contacto accidental con el instrumento cortante.
  - 19. REVISE LA PIEZAS DAÑADAS.** Antes de proseguir con el uso de la herramienta, un resguardo u otra pieza que esté dañada debe ser revisada cuidadosamente para asegurar que funcionará correctamente y realizará su función propuesta—revise el alineamiento de las piezas móviles, las ataduras de las piezas móviles, el montaje y cualquier otra condición que pueda afectar su operación. Un resguardo o cualquier otra pieza dañada debe ser reparada debidamente o repuesta.
  - 20. DIRECCION DE ALIMENTACION.** Alimente el trabajo hacia la hoja o cuchilla contra la dirección de rotación de la hoja o la cuchilla solamente.
  - 21. JAMAS DEJE LA HERRAMIENTA FUNCIONANDO SIN ATENCION. APAGUE LA ENERGIA** No se separe de la herramienta hasta que ésta se haya detenido por completo.
  - 22. MANTÉNGASE ALERTA; PRESTE ATENCIÓN A LO QUE ESTÉ HACIENDO Y PROCEDA LÓGICAMENTE CUANDO OPERE UNA HERRAMIENTA ELÉCTRICA. NO USE LA HERRAMIENTA CUANDO ESTÉ CANSADO NI BAJO LA INFLUENCIA DE MEDICACIÓN, ALCOHOL O DROGAS.** Un momento de inatención cuando esté usando una herramienta eléctrica puede resultar en una grave herida personal.
  - 23. ASEGURESE DE QUE LA HERRAMIENTA ESTE DESCONECTADA DE LA FUENTE DE ENERGIA** mientras que se esté montando, conectando o reconectando el motor.
  - 24. EL POLVO GENERADO** por ciertas maderas y productos de madera puede ser perjudicial a su salud. Siempre opere la maquinaria en áreas bien ventiladas y proporcione la remoción de polvo debida. Utilice sistemas de colección de polvo de madera siempre que sea posible.
- GUARDE ESTAS INSTRUCCIONES. Refiérase a ellas con frecuencia y utilícelas para adiestrar a otros.**

# REGLAS ADICIONALES DE SEGURIDAD PARA LAS TALADRADORAS

**⚠ ADVERTENCIA** LEA Y COMPRENDA TODAS LAS ADVERTENCIAS Y LAS INSTRUCCIONES DE OPERACIÓN ANTES DE UTILIZAR ESTE EQUIPO. El incumplimiento de cualquiera de las instrucciones enumeradas abajo puede provocar descarga eléctrica, incendio o lesiones personales graves o daños a la propiedad.

1. **NO UTILICE ESTA MÁQUINA** hasta que esté completamente montada e instalada de acuerdo con las instrucciones.
2. **OBTENGA ASESORAMIENTO** de su supervisor, instructor u otra persona calificada si no está completamente familiarizado con la utilización de esta máquina.
3. **SIGA TODOS LOS CÓDIGOS DE CABLEADO** y las conexiones eléctricas recomendadas.
4. **DESPEJE EL BANCO DE TODOS** los objetos (herramientas, restos de madera, etc.) antes de encender la máquina.
5. **NUNCA** arranque la máquina con la broca taladradora o la herramienta de corte en contacto con la pieza de trabajo.
6. **APRIETE** todos los mangos de fijación antes de arrancar la máquina.
7. **UTILICE ÚNICAMENTE** brocas taladradoras, cortadores, tambores de lijar y otros accesorios cuyo cuerpo mida 1/2 pulgada o menos.
8. **UTILICE SOLAMENTE** brocas taladradoras o herramientas de corte que no esten dañadas.
9. **FIJE** las brocas y las herramientas de corte en el mandril antes de utilizar la máquina.
10. **UTILICE** las velocidades recomendadas para el material de los accesorios de taladrado y el material de las piezas de trabajo.
11. **EVITE** las posiciones difíciles de las manos en las que un resbalón repentino podría hacer que una mano se mueva hasta la broca taladradora o la herramienta de corte.
12. **MANTENGA** las manos y los dedos alejados de la broca taladradora o la herramienta de corte.
13. **NO INTENTE** taladrar material que no tenga una superficie plana contra la mesa. **FIJE CON ABRAZADERAS LA PIEZA DE TRABAJO** o sujétela contra la columna para impedir que gire. Además, sujete con abrazaderas la pieza de trabajo cuando utilice una sierra perforadora o una herramienta de corte de más de 1/2 pulgada de diámetro.
14. **DETENGA** la taladradora siempre antes de quitar las piezas descartadas de la mesa.
15. **SOPORTE EL MATERIAL** a la altura de la mesa en el caso de piezas de trabajo grandes o anchas.
16. **NUNCA** realice trabajo de instalación, ensamblaje o preparación en la mesa mientras la máquina esté encendida.
17. **APAGUE LA MÁQUINA Y DESCONÉCTELA** de la fuente de alimentación antes de instalar o quitar accesorios, antes de ajustar o cambiar las preparaciones o al hacer reparaciones.
18. **APAGUE LA MÁQUINA**, desconéctela de la fuente de alimentación y limpie la mesa/área de trabajo antes de dejar la máquina. BLOQUEE EL INTERRUPTOR EN LA POSICIÓN DE APAGADO para impedir el uso no autorizado.
19. **HAY DISPONIBLE INFORMACIÓN ADICIONAL RELACIONADA CON LA UTILIZACIÓN SEGURA** y apropiada de esta herramienta a través del Instituto de Herramientas Mecánicas, Power Tool Institute, 1300 Summer Avenue, Cleveland, OH 44115-2851. También hay información disponible a través del Consejo Nacional de Seguridad, National Safety Council, 1121 Spring Lake Drive, Itasca, IL 60143-3201. Sírvase consultar los Requisitos de Seguridad para Máquinas de Elaboración de la Madera ANSI 01.1 del Instituto Nacional Americano de Normas (American National Standards Institute) y las normas OSHA 1910.213 del Departamento de Trabajo de los EE.UU.

## GUARDE ESTAS INSTRUCCIONES.

**⚠ ADVERTENCIA** Algunas partículas originadas al lijar, aserrar, amolar, taladrar y realizar otras actividades de construcción contienen productos químicos que producen cáncer, defectos de nacimiento y otros problemas reproductivos. Algunos ejemplos de estos productos químicos son:

- el plomo de las pinturas de base plomo,
- la sílice cristalina de ladrillos, cemento y otros productos de mampostería,
- el arsénico y el cromo de la madera con tratamiento químico (CCA).

El riesgo derivado de estas exposiciones varía según la frecuencia con la que se realice este tipo de trabajo. Para reducir la exposición a estos productos químicos: se recomienda trabajar en áreas bien ventiladas y usar equipos de seguridad aprobados, como las máscaras para polvo especialmente diseñadas para filtrar las partículas microscópicas.

• **Evite el contacto prolongado con las partículas de polvo originadas al lijar, aserrar, esmerilar, taladrar y realizar demás actividades de la construcción. Use indumentaria protectora y lave las áreas expuestas con agua y jabón.** Evite que el polvo entre en la boca y en los ojos o se deposite en la piel, para impedir la absorción de productos químicos nocivos.

El uso de esta herramienta puede generar o dispersar partículas de polvo, que pueden causar lesiones respiratorias permanentes y graves u otras lesiones. Use siempre protección respiratoria aprobada por NIOSH/OSHA (Instituto Nacional de Salud y Seguridad Ocupacional de EE.UU./Administración de la Salud y Seguridad Ocupacional de EE.UU.) apropiada para la exposición al polvo. Aleje las partículas de la cara y el cuerpo. **Utilice la protección auditiva apropiada mientras usa la herramienta.** En ciertas condiciones y según el período de uso, el ruido provocado por este producto puede llevar a la pérdida de audición.

## CONEXIONES A LA FUENTE DE ALIMENTACIÓN

Debe utilizarse un circuito eléctrico independiente para las máquinas. Este circuito debe tener alambre de no menos del No. 12 y debe estar protegido con un fusible de acción retardada de 20 A. Si se utiliza un cordón de extensión, utilice únicamente cordones de extensión de tres alambres que tengan enchufes de tipo de conexión a tierra con tres terminales y un receptáculo coincidente que acepte el enchufe de la máquina. Antes de conectar la máquina a la línea de alimentación, asegúrese de que el interruptor(s) esté en la posición de apagado y cerciórese de que la corriente eléctrica tenga las mismas características que las que estén indicadas en la máquina. Todas las conexiones a la línea de alimentación deben hacer buen contacto. El funcionamiento a bajo voltaje dañará el máquina.

**⚠ ADVERTENCIA RIESGO DE DESCARGA ELÉCTRICA. NO EXPONGA LA MÁQUINA A LA LLUVIA NI LA UTILICE EN LUGARES HÚMEDOS.**

## INSTRUCCIONES DE CONEXIÓN A TIERRA

La máquina está cableada para corriente alterna de 120 V., 60 Hz. Antes de conectar la máquina a la fuente de alimentación, asegúrese de que el interruptor esté en la posición de apagado.

**⚠ ADVERTENCIA RIESGO DE DESCARGA ELÉCTRICA. ESTA MÁQUINA DEBE ESTAR CONECTADA A TIERRA MIENTRAS SE ESTÉ UTILIZANDO, PARA PROTEGER AL OPERADOR CONTRA LAS DESCARGAS ELÉCTRICAS.**

1. Todas las máquinas conectadas con cordón conectadas a tierra:

En caso de mal funcionamiento o avería, la conexión a tierra proporciona una ruta de resistencia mínima para la corriente eléctrica, con el fin de reducir el riesgo de descargas eléctricas. Esta máquina está equipada con un cordón eléctrico que tiene un conductor de conexión a tierra del equipo y un enchufe de conexión a tierra. El enchufe debe enchufarse en un tomacorriente coincidente que esté instalado y conectado a tierra adecuadamente, de acuerdo con todos los códigos y ordenanzas locales.

No modifique el enchufe suministrado. Si el enchufe no cabe en el tomacorriente, haga que un electricista calificado instale el tomacorriente apropiado.

La conexión inapropiada del conductor de conexión a tierra del equipo puede dar como resultado riesgo de descargas eléctricas. El conductor con aislamiento que tiene una superficie exterior de color verde con o sin franjas amarillas es el conductor de conexión a tierra del equipo. Si es necesario reparar o reemplazar el cordón eléctrico o el enchufe, no conecte el conductor de conexión a tierra del equipo a un terminal con corriente. Consulte a un electricista competente o a personal de servicio calificado si no entiende completamente las instrucciones de conexión a tierra o si tiene dudas en cuanto a si la máquina está conectada a tierra apropiadamente.

Utilice únicamente cordones de extensión de tres alambres que tengan enchufes de tipo de conexión a tierra con tres terminales y receptáculos de tres conductores que acepten el enchufe de la máquina, tal como se muestra en la Fig. A.

Repare o reemplace inmediatamente los cordones dañados o desgastados.

2. Máquinas conectadas con cordón conectadas a tierra diseñadas para utilizarse en un circuito de alimentación que tenga una capacidad nominal de menos de 150 V:

Si la máquina está diseñada para utilizarse en un circuito que tenga un tomacorriente parecido al que se ilustra en la Fig. A, la máquina tendrá un enchufe de conexión a tierra que se parece al enchufe ilustrado en la Fig. A. Puede utilizarse un adaptador temporal, que se parece al adaptador ilustrado en la Fig. B, para conectar este enchufe a un receptáculo coincidente de dos conductores, tal como se muestra en la Fig. B, si no se dispone de un tomacorriente conectado a tierra apropiadamente. El adaptador temporal debe utilizarse solamente hasta que un electricista calificado pueda instalar un tomacorriente conectado a tierra apropiadamente. La orejeta, lengüeta, etc., rígida de color verde que sobresale del adaptador debe conectarse a una toma de tierra permanente, como por ejemplo una caja tomacorriente conectada a tierra adecuadamente. Siempre que se utilice un adaptador, debe sujetarse en su sitio con un tornillo de metal.

**NOTA: En Canadá, el uso de un adaptador temporal no está permitido por el Código Eléctrico Canadiense.**

**⚠ ADVERTENCIA RIESGO DE DESCARGA ELÉCTRICA. EN TODOS LOS CASOS, ASEGÚRESE DE QUE EL RECEPTÁCULO EN CUESTIÓN ESTÉ CONECTADO A TIERRA ADECUADAMENTE. SI NO ESTÁ SEGURO, HAGA QUE UN ELECTRICISTA CALIFICADO COMPRUEBE EL RECEPTÁCULO.**

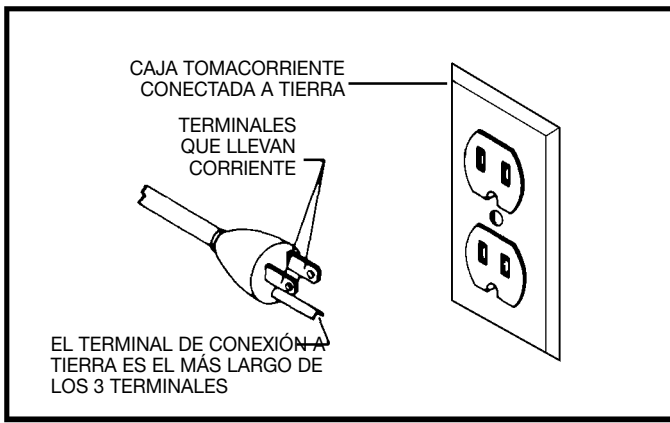


Fig. A

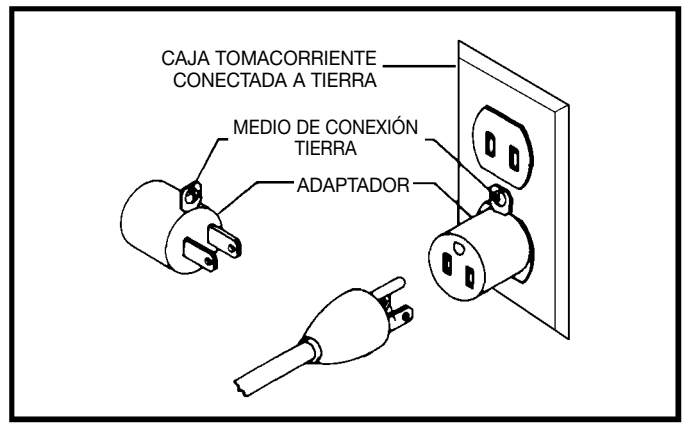


Fig. B

## CORDONES DE EXTENSIÓN

Utilice cordones de extensión apropiados. Asegúrese de que el cordón de extensión esté en buenas condiciones y de que sea un cordón de extensión de tres alambres que tenga un enchufe de tipo de conexión a tierra con tres terminales y un receptáculo coincidente que acepte el enchufe de la máquina. Cuando utilice un cordón de extensión, asegúrese de emplear un cordón que sea lo suficientemente pesado como para llevar la corriente de la máquina. Un cordón de tamaño insuficiente causará una caída de la tensión de la línea eléctrica que dará como resultado pérdida de potencia y recalentamiento. En la Fig. C se muestra el calibre correcto que debe utilizarse dependiendo de la longitud del cordón. En caso de duda, utilice el siguiente calibre más pesado. Cuanto más pequeño sea el número de calibre, más pesado será el cordón.

<b>CORDÓN DE EXTENSIÓN DE CALIBRE MÍNIMO</b>			
TAMAÑOS RECOMENDADOS PARA USO CON MÁQUINAS ELÉCTRICAS ESTACIONARIAS			
Capacidad Nominal En Amperios	Voltios	Longitud Total Del Cordón En Pies	Calibre Del Cordón De Extensión
0-6	120	Hasta 25	18 AWG
0-6	120	25-50	16 AWG
0-6	120	50-100	16 AWG
0-6	120	100-150	14 AWG
6-10	120	Hasta 25	18 AWG
6-10	120	25-50	16 AWG
6-10	120	50-100	14 AWG
6-10	120	100-150	12 AWG
10-12	120	Hasta 25	16 AWG
10-12	120	25-50	16 AWG
10-12	120	50-100	14 AWG
10-12	120	100-150	12 AWG
12-16	120	Hasta 25	14 AWG
12-16	120	25-50	12 AWG
12-16	120	NO SE RECOMIENDA LONGITUDES MAYOR DE 50 PIES	

Fig. C

## INSTRUCCIONES DE FUNCIONAMIENTO

### PREFACIO

El delta ShopMaster SM300 modelo es una prensa del taladro del banco del 10" con un motor de 1/4 c. v.. El delta ShopMaster SM300 modelo puede manejar la mayoría de los tipos de operaciones de la prensa del taladro.

### DESEMPAQUETADO Y LIMPIEZA

Desempaque cuidadosamente la máquina y todas las piezas sueltas que están en el contenedor o contenedores de transporte. Quite el revestimiento protector de todas las superficies no pintadas. Este revestimiento puede quitarse con un paño suave humedecido con queroseno (no utilice acetona, gasolina ni diluyente de laca para este fin). Después de realizar la limpieza, cubra las superficies no pintadas con una cera en pasta doméstica de buena calidad para pisos.

**NOTA: LA FOTO DE LA CUBIERTA DEL MANUAL ILUSTR A EL MODELO DE PRODUCCIÓN ACTUAL. TODAS LAS DEMÁS ILUSTRACIONES SON SOLAMENTE REPRESENTATIVAS Y ES POSIBLE QUE NO MUESTREN EL COLOR, EL ETIQUETADO Y LOS ACCESORIOS REALES.**



# PIEZAS DE LA TALADRADORA

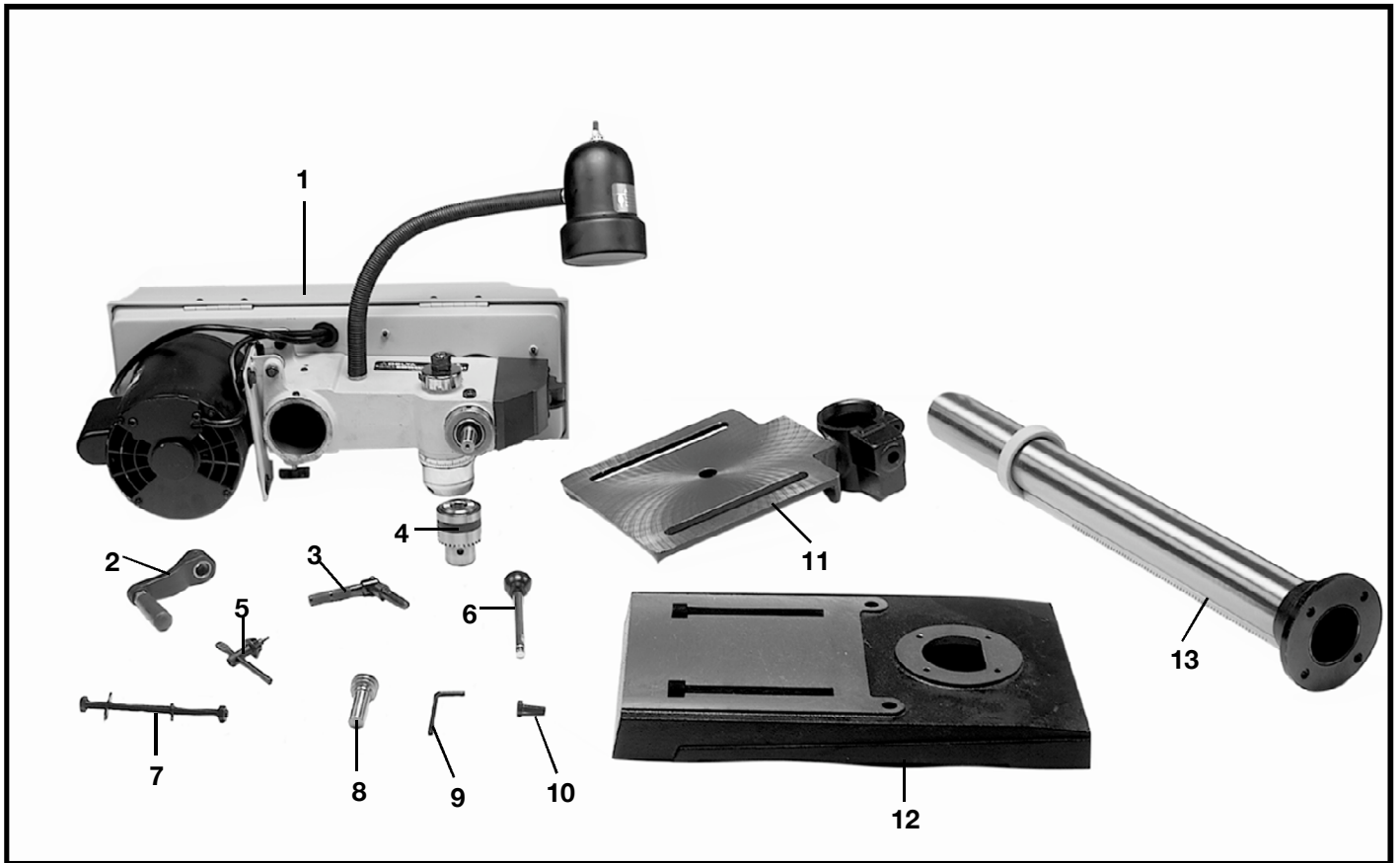


Fig. 2

1 - Cabezal y motor de la taladradora

2 - Vector que levanta y que baja la manija

3 - Abrazadera de mesa

4 - Mandrino

5 - Llave del mandrino

6 - Agarraderas del eje del piñón (3)

7 - Tornillos de Carrocería de M8x1.25x125 mm (2), M8 arandelas planas (2), M8.1 arandelas de cierre (2), M8x1.25tuercas hexagonales (2)

8 - Tornillo sin fin para el mecanismo de elevación y bajado de mesa

9 - Llaves (2)

10 - Tornillos de tapón de cabeza hexagonal de M8x1.25x25mm (4)

11 - Mesa

12 - Base

13 - Columna, pestaña de base, y mecanismo de elevación de mesa

# ENSAMBLAJE

**⚠ ADVERTENCIA** ASEGURESE QUE LA MAQUINA ESTE DESCONECTADA DE LA FUENTE DE ENERGIA DURANTE TODO EL PROCESO DE ENSAMBLAJE.

1. Ensamble la columna (A) Fig. 3 a la base (B) utilizando para ello los cuatro tornillos, de los cuales se ilustran tres en (C). Afloje el tornillo de fijación (D) y quite el anillo (E) y el soporte de elevación (F).

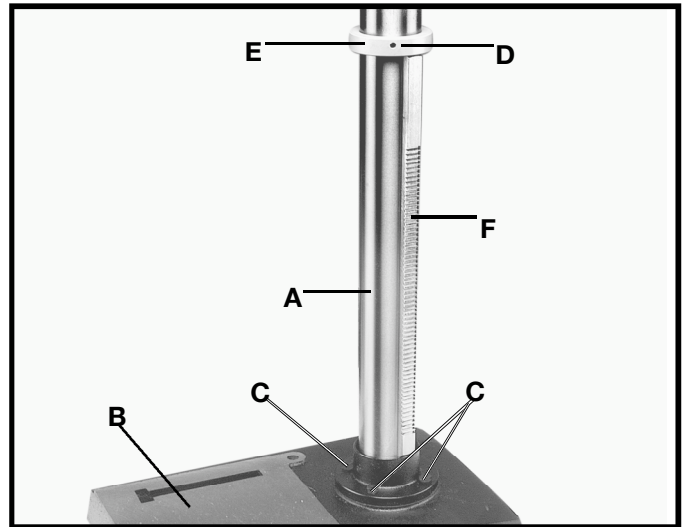


Fig. 3

2. Asegúrese que el tornillo sin fin (G) Figs. 4 y 5, esté en su sitio en el soporte de mesa (H) como se ilustra aquí.

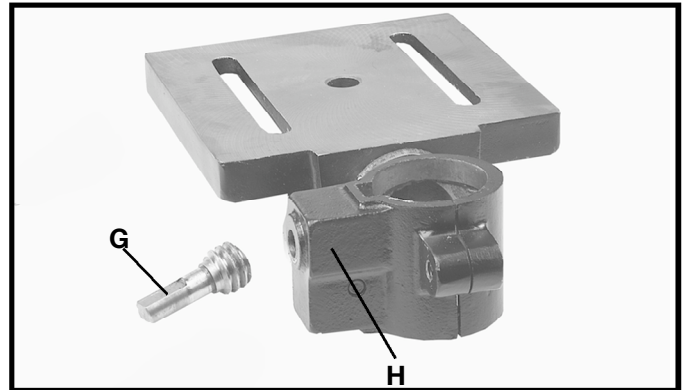


Fig. 4

3. Inserte el soporte de elevación (F) Fig. 6, que fue quitado en el **PASO 1**, en la ranura localizada en el soporte de mesa, asegurándose que los dientes del tornillo sin fin (G) localizados dentro del soporte de mesa estén engranados con los dientes del soporte de elevación (F).

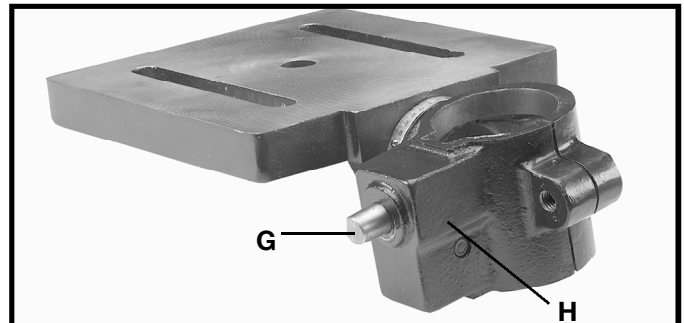


Fig. 5

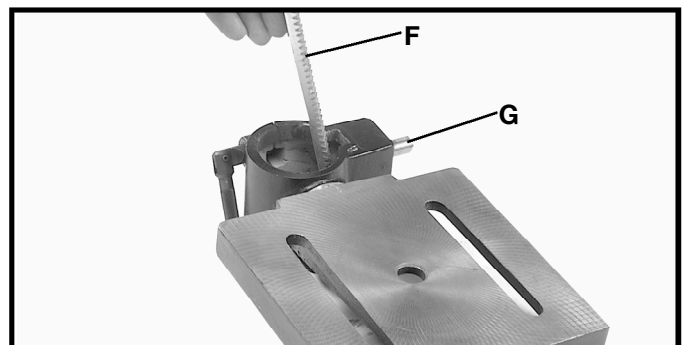


Fig. 6

4. Coloque el soporte de elevación (F) Fig. 7, la mesa y el soporte de la mesa sobre la columna de la taladradora, como se ilustra aquí. Asegúrese que el fondo del soporte de elevación (F) Fig. 8 esté engranado con la pestaña (J) sobre la base de la taladradora.

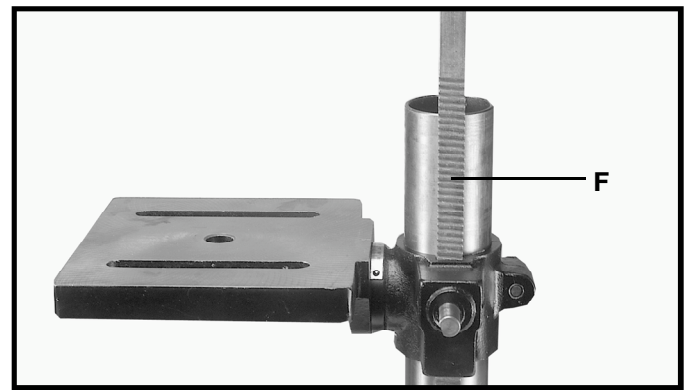


Fig. 7

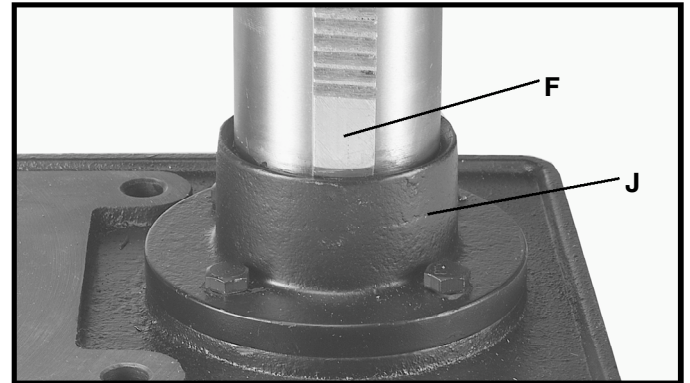


Fig. 8

5. Vuelva a ensamblar a la columna el anillo (E) Fig. 9 que fue quitado en el **PASO 1. IMPORTANTE:** El fondo del anillo (E) **NO DEBE** ser empujado hasta el fondo sobre la parte superior del soporte de elevación (F). **ASEGURESE** que la parte superior del soporte de elevación (F) esté por debajo del anillo (E) y que exista suficiente libranza como para permitir la rotación del soporte (F) alrededor de la columna. **APRIETE ENTONCES EL TORNILLO DE FIJACION (D), PROCURANDO NO APRETARLO EXCESIVAMENTE.**

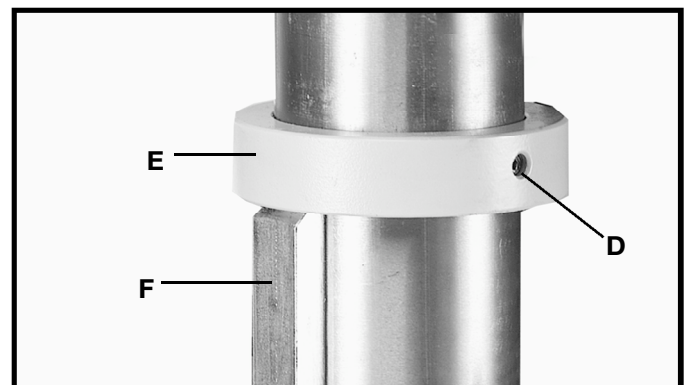


Fig. 9

6. Ensamble la agarradera de elevación y bajado de mesa (K) Fig. 10 al árbol del tornillo sin fin (G) y apriete el tornillo (L) contra la parte plana del árbol.

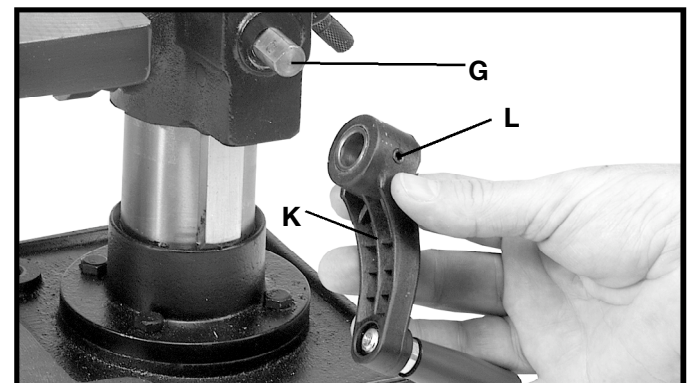


Fig. 10

7. Enrosque la abrazadera de la mesa (M) Fig. 12 dentro del agujero en la parte posterior del soporte de mesa, como se ilustra aquí.

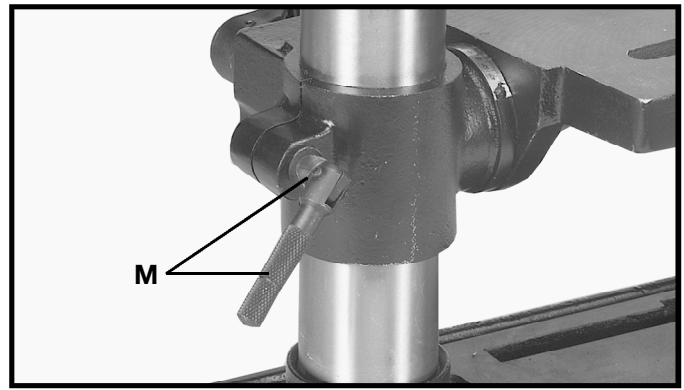


Fig. 12

8. Ponga la Fig. 13 de la cabeza de la prensa del taladro (N), sobre la columna por lo que irá. Alinee Fig. 13A de la cabeza (A), para tabular (B), y la base (C). Apriete la Fig. 13 principal de dos tornillos de fijación (O), on la llave provista.

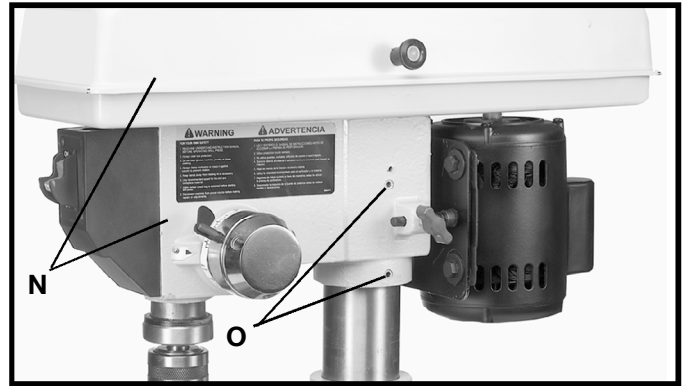


Fig. 13

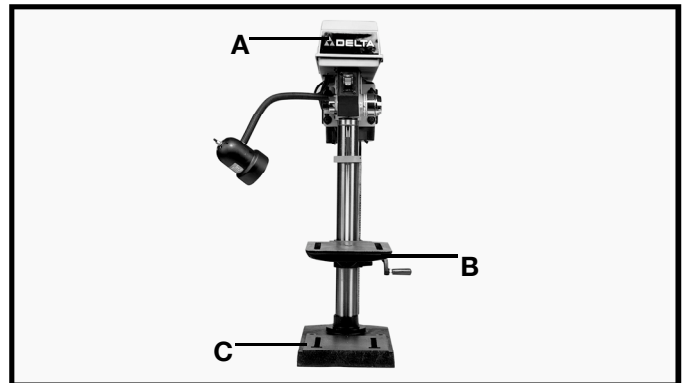


Fig. 13A

9. Enrosque las tres agarraderas del eje del piñón (P) Fig. 14 en los tres agujeros localizados sobre el eje del piñón en la manera ilustrada aquí.

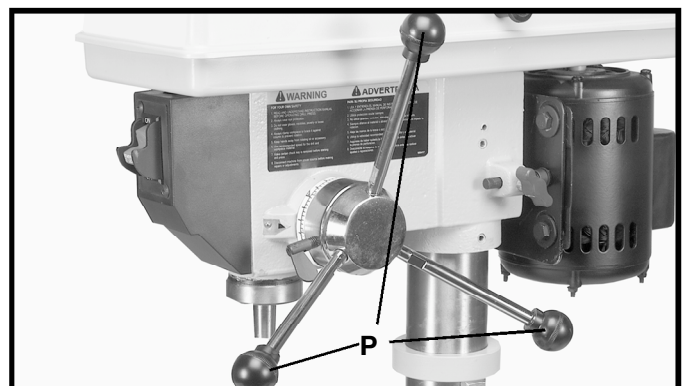


Fig. 14

10. **IMPORTANTE:** Asegúrese que el árbol cónico (Q) Fig. 15, y el agujero cónico (R) del mandrino estén limpios y libres de grasa, laca o revestimientos protectivos. **NOTA:** Los limpiadores de hornos domésticos pueden quitar eficazmente el revestimiento protector del árbol cónico y del mandrino. Sin embargo, obedezca cuidadosamente las reglas de seguridad del fabricante en cuanto a su uso.

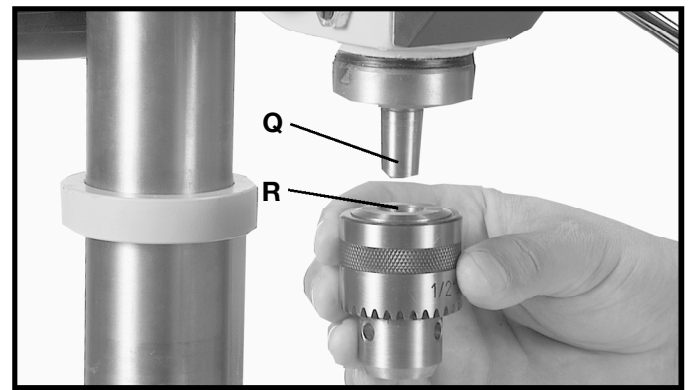


Fig. 15

11. **IMPORTANTE:** ABRA LAS MAND BULAS DEL MANDRINO LO M SANCHO POSIBLE, ASEGUR NDOSE QUE LAS MAND BULAS DEL MANDRINO ESTEN ELEVADAS ADENTRO DEL MANDRINO.

12. Fije el mandrino (S) Fig. 16 cuidadosamente sobre el árbol con un mazo (T) o un bloque de madera y un martillo, tal y como se ilustra aquí. **IMPORTANTE:** Para evitar el daño al mandrino, **JAMAS** encaje el mandrino sobre el árbol con un martillo de metal.

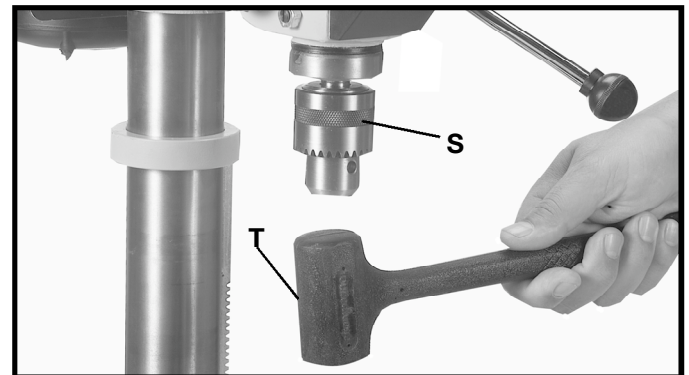


Fig. 16

## AFIANZANDO LA TALADRADORA DE BANCO A LA SUPERFICIE DE APOYO

Si existe cualquier tendencia por parte de la taladradora en volcarse, deslizarse o "caminar" sobre la superficie de apoyo, la base de la taladradora debe ser afianzada a la superficie de apoyo a través de los dos agujeros (A) Fig. 17 localizados en la base de la taladradora.

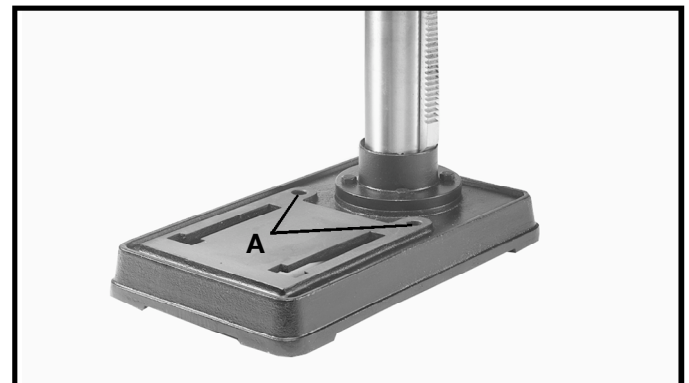


Fig. 17

## DE FUNCIONAMIENTO CONTROLES Y AJUSTES

### INTERRUPTOR

El interruptor (A) Fig. 18 está localizado en la parte delantera del cabezal de la taladradora. Para ENCENDER la taladradora, mueva el interruptor a la posición elevada. Para APAGAR la taladradora, mueva el interruptor a la posición inferior.

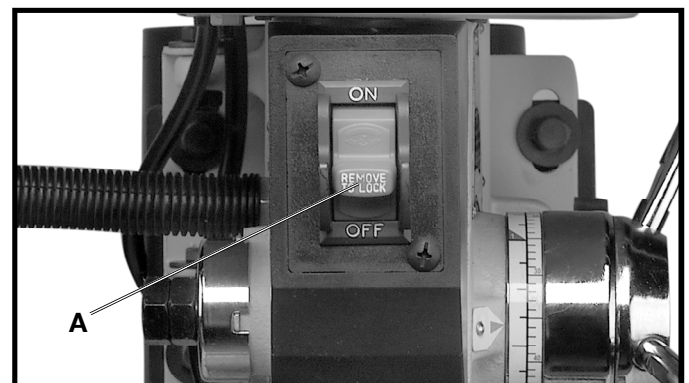


Fig. 18



# BLOQUEANDO EL INTERRUPTOR EN LA POSICION DE APAGADO

**IMPORTANTE:** Cuando la herramienta no es adentro uso, el interruptor se debe bloquear en la posición de “OFF”. Esto puede hacerse al tomar la palanca del interruptor (B) y extrayéndola del interruptor, como puede apreciarse en la Fig. 19. Una vez quitada la palanca del interruptor (B), el interruptor no podrá ser accionado. Sin embargo, sise llegase a quitarla palanca del interruptor durante el funcionamiento de la taladradora, el interruptor puede ser **APAGADO**, pero no puede volverse a encender sin la inserción de la palanca del interruptor (B).

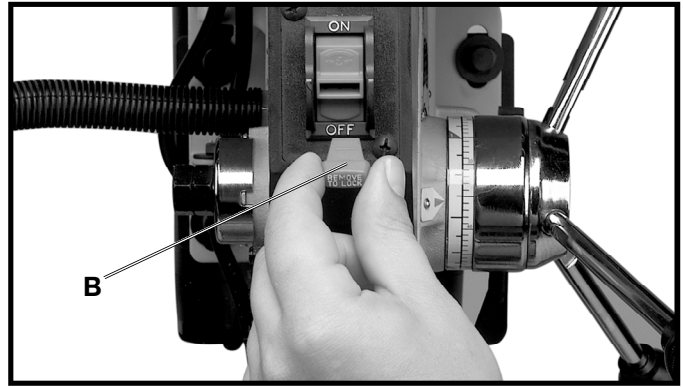


Fig. 19

# LÁMPARA FLEXIBLE

La lámpara flexible funciona independientemente de la taladro. Para encender y apagar la lámpara, gire el interruptor (A) Fig. 19A.

**⚠ ADVERTENCIA** Para reducir el riesgo de incendio, utilice focos para reflectores sobre rieles de 40 vatios o menos y de 120 voltios (no incluidos). No debe utilizarse un foco doméstico estándar. El foco para reflectores sobre rieles no debe extenderse más allá de la pantalla de la lámpara.

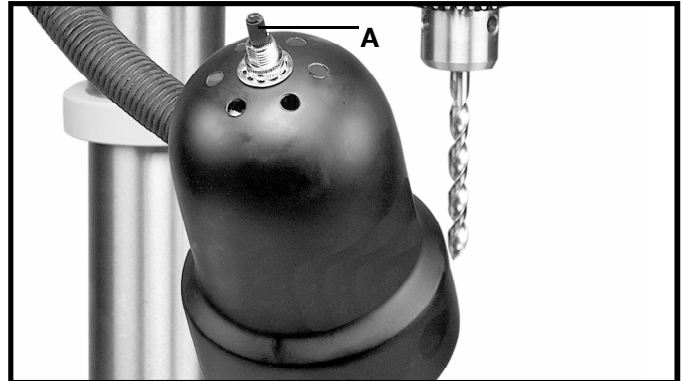


Fig. 19A

# AJUSTES DE LA MESA

1. La mesa puede ser elevada o bajada sobre la columna de la taladradora mediante el aflojado de la agarradera de abrazadera de mesa (A) Fig. 20, y virando la agarradera de elevación y bajado de mesa (B) Fig. 21. Después de que la mesa se encuentre ala altura deseada, apriete la agarradera (A) Fig. 20. **NOTA:** La colocación final della taladradora siempre debe ser desde la posición inferior hasta la posición superior.

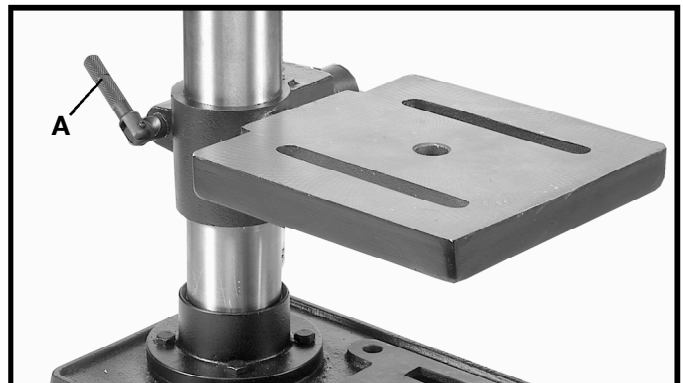


Fig. 20

2. La mesa puede ser girada a 360 grados sobre la columna mediante el aflojamiento de la agarradera de la abrazadera (A) Fig. 20, girando la mesa a la posición deseada, y apretando la agarradera de abrazadera nuevamente (A).

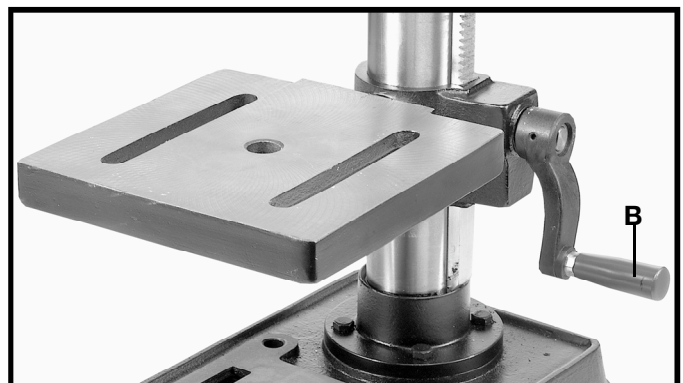


Fig. 21

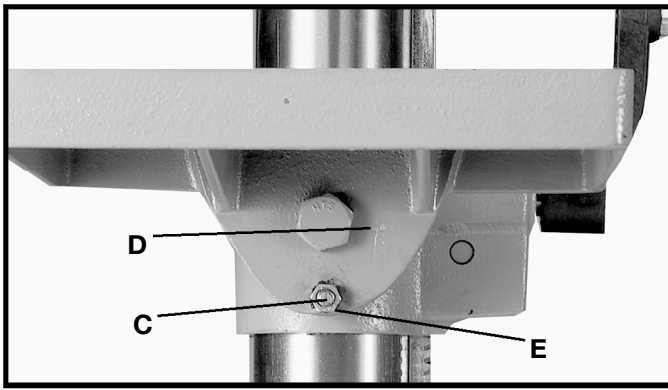


Fig. 22

3. La mesa puede inclinarse a la derecha o a la izquierda al extraer y quitar el pasador de alineamiento de la mesa (C) Fig. 22 y al aflojar el perno de cierre de la mesa (D). **NOTA:** Si se hace difícil la extracción del pasador (C), vire la tuerca (E) contra el sentido de las manecillas del reloj para extraer el pasador de la estructura. Inclina la mesa al ángulo deseado y apriete el perno (D).

4. Cuando vaya a devolverla mesa a su posición nivelada, reponga el pasador de alineamiento de mesa (C) Fig. 23. Esto colocará la superficie de la mesa automáticamente a 90 grados del árbol. Vuelva a apretar el perno (D).

5. Se proporciona una escala de inclinación (E) Fig. 24 sobre la estructura del soporte de mesa para indicar los grados de inclinación. También se proporcionan una marca índice y marca de cero (F) para el alineamiento con la escala (E).

## VELOCIDADES DE ARBOL

Hay cinco velocidades de árbol disponibles con su taladradora: 620, 1100, 1720, 2340 y 3100 RPM. La Fig. 25 ilustra en cuál escalón del motor y de la polea del árbol debe colocarse la correa para obtener las cinco velocidades disponibles.

## CAMBIO DE VELOCIDADES Y AJUSTE DEL TENSIONAMIENTO DE CORREA

1. **DESCONECTE LA MÁQUINA DE FUENTE DE ENERGÍA.**

2. Levante la correa y el protector de polea (A) Fig. 26.  
 3. Suelte la tensión de la correa aflojando la perilla de cierre de tensión (B) Fig. 26, articulando el motor hacia la parte delantera de la taladradora como se ilustra aquí.  
 4. Mientras que sostiene el motor hacia la parte delantera del cabezal de la taladradora, coloque la correa (C) sobre los escalones deseados de las poleas del motor y del árbol, como lo ilustra la Fig. 26. Un cuadro de colocación de correas y velocidades (D) se encuentra en el interior de la tapa superior de la taladradora para su conveniencia.

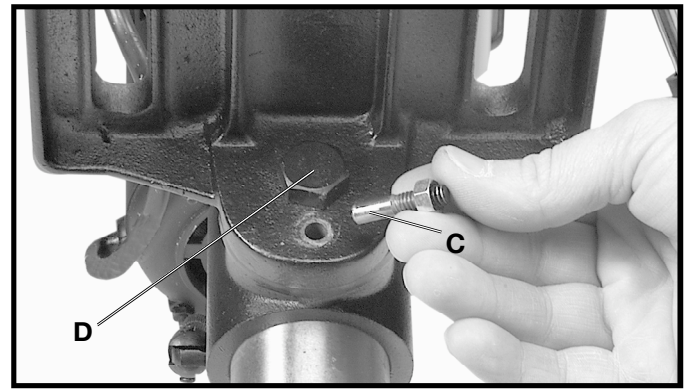


Fig. 23

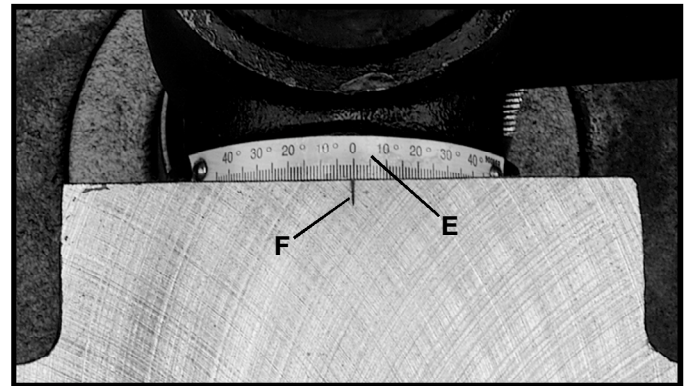


Fig. 24

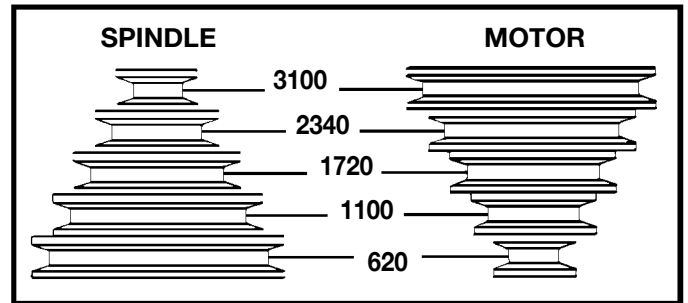


Fig. 25

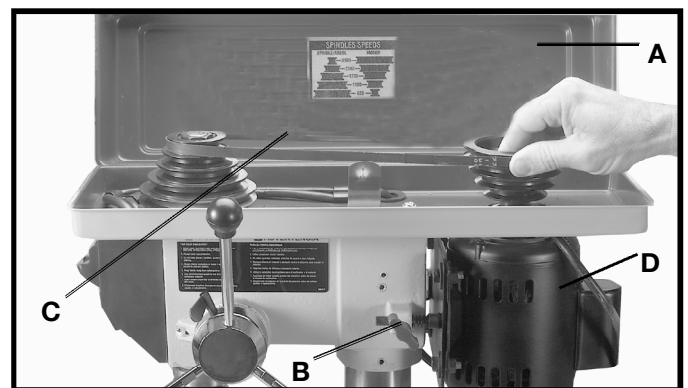


Fig. 26

5. Después de colocar la correa sobre los escalones deseados de las poleas del motor y del árbol, articule el motor, alejándolo del cabezal de la taladradora hasta que la correa esté debidamente tensionada, y apriete la perilla de cierre de tensión (B) Fig. 26. La correa debe estar sólo lo suficientemente apretada como para impedir el deslizamiento. La tensión excesiva reducirá la vida de la correa, las poleas y los cojinetes. Se obtiene la tensión correcta cuando la correa (C) puede ser flexionada unas 2.5 cm fuera de la línea entre medio de las poleas, utilizando presión ligera con los dedos.

## PERFORACION DE AGUJEROS A PROFUNDIDAD

En dónde deben taladrarse un número de agujeros exactamente a la misma profundidad, las tuercas de parada en la vara de parada fileteada se utilizan en la siguiente forma:

1. **DESCONECTE LA MÁQUINA DE FUENTE DE ENERGÍA.**
2. Inserte el pedacito en tirada.
3. Baje el huso hasta la fig. 27 del indicador (C), se alinea con la marca en la escala (D) que usted desea la profundidad para ser. Entonces apriete el tornillo de la cerradura (A). Vuelva el huso a la posición ascendente.
4. Ponga el material que se perforará en la tabla de la prensa del taladro. Levante la tabla de la prensa del taladro hasta que el material para ser tactos justos perforados el pedacito de taladro.
5. Perfore un agujero de la prueba para comprobar el ajuste y para reajustarlo en caso de necesidad. Todos los agujeros entonces serán perforados a la profundidad exacta según lo indicado en fig. 27 de la escala (D). **NOTA:** La escala (D) está calibrada en pulgadas y los milímetros.

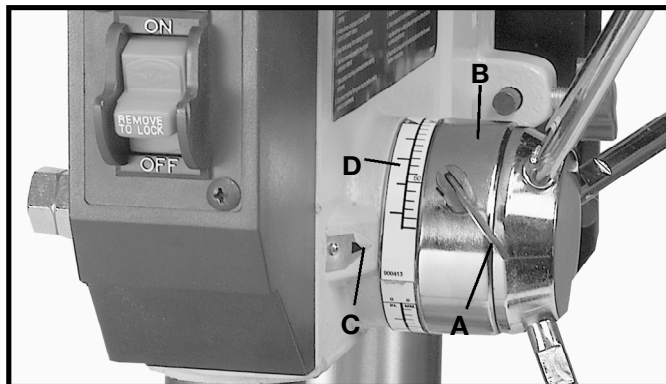


Fig. 27

## AJUSTE DEL RESORTE DE RETORNO DEL ARBOL

Para el propósito del retorno automático del árbol hacia arriba después de haber perforado un agujero, se proporciona un resorte de retorno del árbol (A) Fig. 28. Este resorte ha sido ajustado debidamente de fábrica y no debe ser perturbado a menos que sea absolutamente necesario. Para ajustar el resorte de retorno, haga lo siguiente:

1. **DESCONECTE LA MÁQUINA DE FUENTE DE ENERGÍA.**
2. Afloje los dos tornillos (B) Fig. 28 aproximadamente 1/4 pulg. No quite las tuercas (B) del eje (C).
3. Mientras que detiene con firmeza el alojamiento del resorte (A) Fig. 29, tire del alojamiento y gírelo hasta que el cubo (D) esté engranado con la próxima muesca en el alojamiento. Vire el alojamiento en el sentido contrario a las manecillas del reloj para aumentar, y en sentido de las manecillas del reloj para reducir la tensión del resorte. Apriete entonces las dos tuercas (B) para sujetar el alojamiento en su sitio. **IMPORTANTE:** La tuerca interior (E) no debe entrar en contacto con la cubierta del resorte (A) cuando está apretada.



Fig. 28

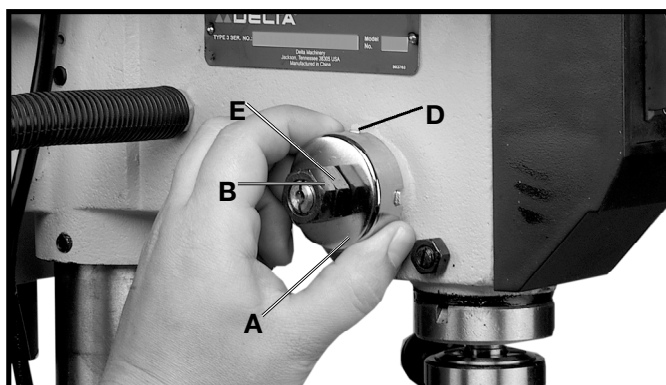


Fig. 29



# FUNCIONAMIENTO

Su taladradora debe utilizarse con brocas de 1/2 pulg. de diámetro o menos. Las siguientes direcciones proporcionarán al operario no experimentado un comienzo sobre las funciones comunes con la taladradora. Utilice material descartado para practicar y acostumbrarse a la máquina antes de intentar tareas regulares.

**⚠ ADVERTENCIA** El uso de accesorios y conexiones no recomendadas por DELTA puede resultar en el riesgo de lesionamiento.

**IMPORTANTE:** Cuando el material es lo suficientemente largo, debe ser colocado siempre sobre la mesa con un extremo contra la columna, como lo ilustra la Fig. 30. Esto impide la rotación del material junto con la broca de perforación o herramienta cortante, ocasionando daño al material o el lesionamiento personal del operario. Si no resulta posible apoyar el material de trabajo contra la columna, deben utilizarse abrazaderas o un tornillo de banco para sujetar el material contra la mesa.



Fig. 30

## INSTALACION Y EXTRACCION DE BROCAS

1. **DESCONECTE LA MÁQUINA DE FUENTE DE ENERGÍA.**
2. Inserte la broca (A) Fig. 31 dentro del mandrino (B) lo suficientemente lejos como para obtener la **tracción** máxima de las tres mandíbulas del mandrino contra la espiga de la broca. Con las brocas pequeñas, **no** inserte la broca a tal profundidad que las mandíbulas del mandrino hagan contacto con las acanaladuras (ranuras espirales) de la broca.
3. Asegúrese que la broca (A) Fig. 31 esté centrada dentro del mandrino (B) antes de apretar el mandrino con la llave (C).
4. Gire la llave del mandrino (C) Fig. 31 en el sentido de las manecillas del reloj para apretar las mandíbulas del mandrino, y en el sentido contrario para aflojarlas.
5. Apriete las tres mandíbulas del mandrino para asegurar la broca lo suficiente como para que no se deslice durante el taladrado.
6. **ASEGURESE** que la llave del mandrino (C) Fig. 31 haya sido quitada del mandrino antes de arrancar la taladradora. Su llave de mandrino (C) está equipada con un pasador autoexpulsador (D) que elimina el riesgo de olvidar que la llave se encuentra aún en el mandrino.

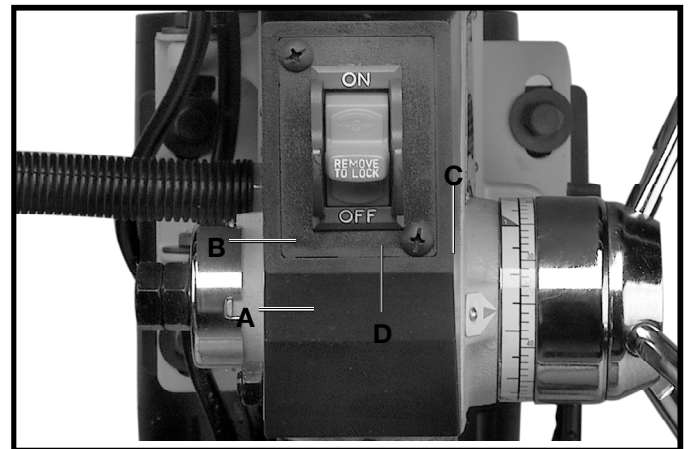


Fig. 31

## VELOCIDADES QUE PERFORAN CORRECTAS

Los factores que determinan la mejor velocidad para utilizar son: clase de material que es trabajado, de tamaño del agujero, de tipo del taladro o del otro cortador, y de calidad del corte deseada.

**⚠ ADVERTENCIA** Utilice la velocidad recomendada para el material del pedacito y del objeto de la prensa del taladro.

## Tabla de velocidades de las prensas Delta

Velocidades de operación recomendadas (en RPM)

ACCESORIO	MATERIAL					
	MADERA BLANDA	MADERA DURA	ACRÍLICO	BRONCE	ALUMINIO	ACERO
<b>BROCAS HELICOIDALES</b>						
1,58 a 4,75 mm	3000	3000	2500	3000	3000	3000
1,5 a 5mm	3000	3000	2500	3000	3000	3000
6,35 a 9,52 mm	3000	1500	2000	1200	2500	1000
8 a 10 mm	3000	1500	2000	1200	2500	1000
11,1 a 1,58 mm	1500	750	1500	750	1500	600
11 a 18mm	1500	750	1500	750	1500	800
17,45 a 25,4 mm	750	500	NR	400	1000	NR
17 a 27 mm	750	500	NR	400	1000	NR
<b>BROCAS DE PUNTA DE CLAVADORA</b>						
3,17 mm	1800	1200	1500	NR	NR	NR
6,35 mm	1800	1000	1500	NR	NR	NR
9,52 mm	1800	750	1500	NR	NR	NR
12,7 mm	1800	750	1000	NR	NR	NR
15,8 mm	1800	500	750	NR	NR	NR
19,05 mm	1400	250	750	NR	NR	NR
22,22 mm	1200	250	500	NR	NR	NR
25,4 mm	1000	250	200	NR	NR	NR
<b>BROCAS TIPO FORSTNER</b>						
6,35 a 9,52 mm	2400	700	250	NR	NR	NR
12,7 a 15,8 mm	2400	500	250	NR	NR	NR
19,05 a 25,4 mm	1500	500	250	NR	NR	NR
28,57 a 31,75 mm	1000	250	250	NR	NR	NR
34,92 a 50,8 mm	500	250	NR	NR	NR	NR
<b>BROCAS DE PALA</b>						
6,35 a 12,7 mm	2000	1500	NR	NR	NR	NR
1,58 a 25,4 mm	1750	1500	NR	NR	NR	NR
29,57 a 39,1 mm	1500	1000	NR	NR	NR	NR
<b>BROCAS DE PALA CON DIENTES</b>						
9,52 a 25,4 mm	2000	1800	500	NR	NR	NR

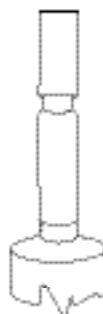
NR - No recomendado



**BROCAS HELICOIDALES**



**BROCAS DE PUNTAS DE CLAVADORA**



**BROCAS TIPO FORSTNER**



**BROCAS DE PALA**



**BROCAS DE PALA CON DIENTES**



## PERFORACION DE MADERAS

Las brocas espirales, aunque estén diseñadas para la perforación de metales, pueden ser utilizadas también para el taladrado de agujeros en la madera. No obstante, se prefiere por lo general el uso de brocas de espuela maquinadas para la perforación de madera, ya que cortan un agujero de fondo cuadrado y están diseñadas para la extracción de astillas de madera. No utilice las brocas de mano con punta de tornillo, ya que a las velocidades de la taladradora, viran en la madera con tanta rapidez que levantan el material de la mesa con acción de remolino.

Para el taladrado en pasada, debe alinear la mesa para que la broca entre en el agujero central, evitando así el daño. Trace una línea vertical en la parte delantera de la columna y una marca de referencia sobre el soporte de la mesa, de modo que la mesa pueda ser abrazada en la posición central a cualquier altura.

Alimente lentamente cuando la broca esté a punto de cortar a través de la madera para impedir el astillamiento de la cara inferior. Utilice un pedazo de madera descartada para formar una base de bloque debajo del material. Esto ayuda a reducir el astillamiento y protege la punta de la broca.

## PERFORACION DE METALES

Utilice abrazaderas para sujetar el material durante la perforación de metales. El material jamás debe ser sujetado con la mano solamente, ya que los bordes de la taladradora puede atrapar el material en cualquier momento, particularmente cuando se rompe a través del material. Si el material se escapa de la mano del operario, este último puede resultar lesionado. En todo caso, la taladradora quedará averiada cuando el material se golpee contra la columna.

El material debe ser sujetado con firmeza durante la perforación. Cualquier inclinamiento, torcedura o cambio repentino tiene como resultado no sólo un agujero rudimentario, sino que aumenta el daño a la taladradora. Para materiales planos, coloque el material sobre una base de madera y abrácela firmemente contra la mesa para impedir que dé vueltas. Si el material es de forma irregular y no puede colocarse de manera plana sobre la mesa, debe ser bloqueado de manera segura y abrazada.

## ACCESORIOS

Una línea completa de accesorios está disponible de su surtidor de Porter-Cable · Delta, centros de servicio de la fábrica de Porter-Cable · Delta, y estaciones autorizadas delta. Visite por favor nuestro Web site [www.deltamachinery.com](http://www.deltamachinery.com) para un catálogo o para el nombre de su surtidor más cercano.

**▲ ADVERTENCIA** Puesto que los accesorios con excepción de éstos ofrecidos por Delta no se han probado con este producto, el uso de tales accesorios podría ser peligroso. Para la operación más segura, solamente el delta recomendó los accesorios se debe utilizar con este producto.

## PIEZAS, SERVICIO O ASISTENCIA DE GARANTÍA

Todas las máquinas y accesorios Delta se fabrican conforme a altos estándares de calidad y reciben servicio de una red de Centros de Servicio de Fábrica Porter-Cable · Delta y Estaciones de Servicio Autorizado Delta. Para obtener la información adicional con respecto a su producto de calidad del delta o para obtener piezas, el servicio, la ayuda de la garantía, o la localización del tomacorriente para servicio más cercano, llaman por favor 1-800-223-7278 (en la llamada 1-800-463-3582 de Canadá).

### ESPECIFICACIONES

Tensión de alimentación: 120 V~ Potencia nominal: 357 W  
Frecuencia de operación: 60 Hz Consumo de corriente: 3,2A



### Garantía Limitada de Dos Años

Delta reparará o repondrá a gasto y opción propia cualquier máquina, pieza de maquinaria o accesorio de máquina Delta que haya sido encontrado defectuoso en su fabricación o material durante el transcurso del uso normal, siempre que el cliente devuelva el producto pagado por adelantado a un centro de servicio en una fábrica de Delta o autorizado por Delta dentro de dos años y proporcione a Delta una oportunidad suficiente como para verificar el alegado defecto por inspección. Delta puede requerir que los motores eléctricos sean devueltos con pago adelantado a la estación autorizada del fabricante del motor para ser sometidos a inspección y reparación o reemplazo. Delta no será responsable por cualquier defecto que haya resultado del desgaste normal, uso indebido, abuso o reparación o alteración hecha o autorizada específicamente por cualquiera que no sea una facilidad o representante autorizado de Delta. Delta no será responsable bajo ninguna circunstancia por daños incidentales o de consecuencia como resultado de productos defectuosos. Esta garantía es la única garantía de Delta y establece la remediación exclusiva del cliente en lo que respecta a los productos dañados. Cualquier otra garantía, expresa o implicada, ya sea de mercadeo, adecuación para el propósito dado o cualquier otra, es específicamente renunciada por Delta.

# Perceuse à colonne d'établi de 25,4 cm (10 po) (modèle SM300)



638517-00 10-30-05  
Copyright © 2005 Delta Machinery



Pour en savoir plus à propos de DELTA MACHINERY  
consulter le site Web au : [www.deltamachinery.com](http://www.deltamachinery.com).

Pour des pièces, réparations, garantie ou toute autre demande d'aide  
veuillez composer le **1-800-223-7278** (au Canada, composer le **1-800-463-3582**).

# RÈGLES GÉNÉRALES DE SÉCURITÉ

Le travail du bois peut être dangereux si des procédures de sécurité et d'utilisation ne sont pas suivies. Comme avec tout équipement, l'utilisation du produit comporte certains dangers. En utilisant cette machine avec toute la prudence requise, le risque de blessures corporelles en sera considérablement réduit. Au contraire, si les mesures de sécurité normales ne sont pas respectées ou sont ignorées, l'opérateur de l'outil peut être blessé. L'utilisation d'équipement de sécurité comme des pare-mains, des poussoirs, des dispositifs d'ancrage, des planches en éventail, des lunettes de sécurité, des masques antipoussière, des protecteurs auditifs peut réduire le risque de blessure. Cependant, même la meilleure des protections ne compense pas pour un faible jugement, une imprudence ou de l'inattention. Toujours faire preuve de jugement et être prudent dans l'atelier. Si une procédure semble dangereuse, ne pas l'essayer. Rechercher une procédure alternative qui semble plus sécuritaire. **NE PAS OUBLIER** : votre sécurité personnelle est de votre responsabilité.

Cet machine est conçue pour certaines applications seulement. Delta Machinery recommande fortement de ne pas modifier cette machine ou de ne pas l'utiliser pour une application autre que celle pour laquelle elle a été conçue. Pour toutes questions à propos d'une application particulière, **NE PAS** utiliser la machine avant de communiquer d'abord avec Delta pour identifier si l'application est possible ou non avec le produit.

Directeur du service technique - Delta Machinery  
4825 Highway 45 North Jackson, TN 38305 É.-U.  
(AU CANADA : 505, PROM. SOUTHGATE, GUELPH, ONTARIO N1H 6M7)

**⚠ AVERTISSEMENT** LIRE ATTENTIVEMENT TOUTES LES MISES EN GARDE ET DIRECTIVES D'UTILISATION AVANT D'UTILISER CET ÉQUIPEMENT. À défaut de suivre les directives sous mentionnées, un choc électrique, un incendie, des dommages ou une blessure corporelle grave pourraient survenir.

- 1. POUR SA PROPRE SÉCURITÉ, LIRE LE MODE D'EMPLOI AVANT D'UTILISER L'OUTIL.** Apprendre l'application, les restrictions de même que les risques inhérents de l'outil.
- 2. MAINTENIR LES DISPOSITIFS DE PROTECTION EN PLACE** et en état de fonctionnement.
- 3. TOUJOURS PORTER UNE PROTECTION OCULAIRE.** Porter des lunettes de sécurité. Les lunettes ordinaires ne comportent que des lentilles résistantes aux chocs, ce ne sont pas des lunettes de sécurité. Utiliser également un masque ou anti-poussière si l'opération de découpe génère de la poussière. Ces lunettes de sécurité doivent être conformes à la norme ANSI Z87.1. **REMARQUE** : les lunettes approuvées portent l'inscription imprimée ou estampillée « Z87 ».
- 4. RETIRER LES CLÉS ET LES CLÉS DE RÉGLAGE.** S'habituer à vérifier si les clés et les clés de réglage sont retirées de l'outil avant de mettre celui-ci sous tension.
- 5. GARDER PROPRE LA ZONE DE TRAVAIL.** Les zones et établis encombrés sont souvent des causes d'accidents.
- 6. NE PAS UTILISER CET OUTIL DANS UN ENVIRONNEMENT DANGEREUX.** Ne pas utiliser d'outils électriques dans des endroits humides ou mouillés et ne pas les exposer à la pluie. Garder la zone de travail bien éclairée.
- 7. ÉLOIGNER LES ENFANTS ET LES VISITEURS.** Tous les enfants et les visiteurs doivent se trouver à une distance sûre de la zone de travail.
- 8. S'ASSURER QUE L'ATELIER NE PRÉSENTE PAS DE DANGER POUR LES ENFANTS** - en utilisant des cadenas, des interrupteurs principaux, ou en retirant les clés de démarrage.
- 9. NE PAS FORCER L'OUTIL.** Il effectuera mieux son travail et de manière plus sûre à la vitesse pour laquelle il a été conçu.
- 10. UTILISER L'OUTIL APPROPRIÉ.** Ne pas forcer un outil ou un accessoire à effectuer un travail pour lequel il n'a pas été conçu.
- 11. PORTER LES VÊTEMENTS APPROPRIÉS.** Ne pas porter ni vêtement ample, ni gant, ni cravates, ni bague, ni bracelet, ni autre bijou, car ces derniers pourraient s'enchevêtrer dans des pièces mobiles. Le port de chaussures antidérapantes est recommandé. Se couvrir les cheveux s'ils sont longs.
- 12. FIXER LA PIÈCE.** Utiliser des fixations ou un étau pour maintenir l'ouvrage lorsque c'est possible. Ces dispositifs sont plus sûres que les mains et permettent d'utiliser les deux mains pour faire fonctionner l'outil.
- 13. NE PAS TROP TENDRE LES BRAS.** Conserver son équilibre en tout temps.
- 14. CONSERVER LES OUTILS DANS LE MEILLEUR ÉTAT POSSIBLE.** S'assurer que vos outils sont aiguisés et propres afin d'optimiser sécurité et performance. Suivre les consignes de graissage et de changement d'accessoires.
- 15. DÉBRANCHER LES OUTILS** avant de les réparer et de changer des accessoires tels que lames, mèches, couteaux, etc.
- 16. UTILISER LES ACCESSOIRES RECOMMANDÉS.** L'utilisation d'accessoires qui n'ont pas été recommandés par Delta est susceptible d'endommager la machine ou de blesser l'utilisateur.
- 17. RÉDUIRE LE RISQUE DE DÉMARRAGE ACCIDENTEL.** S'assurer que l'interrupteur est en position ARRÊT avant de brancher l'outil. En cas de panne de courant, mettre l'interrupteur sur la position d'arrêt.
- 18. NE JAMAIS SE TENIR SUR L'OUTIL.** Une blessure grave pourrait se produire en cas de basculement de l'outil ou de contact accidentel avec l'outil de découpe.
- 19. VÉRIFIER LES PIÈCES ENDOMMAGÉES.** Avant toute utilisation ultérieure de l'outil, un dispositif de protection endommagé, ou toute autre pièce endommagée, doit être examiné soigneusement afin d'assurer un fonctionnement adéquat selon sa fonction prévue – vérifier l'alignement des pièces mobiles, la présence de grippage des pièces mobiles, de bris de pièces, ou d'assemblage et tout autre problème pouvant nuire au fonctionnement de l'outil. Un dispositif de protection endommagé, ou toute autre pièce endommagée, doit être réparé et remplacé adéquatement.
- 20. DIRECTION DE L'ALIMENTATION.** Insérer la pièce uniquement à contre-courant du sens de rotation de la lame ou du couteau.
- 21. NE JAMAIS LAISSER L'OUTIL FONCTIONNER SANS SURVEILLANCE. ÉTEINDRE L'APPAREIL.** Ne pas laisser l'outil tant qu'il n'est pas complètement arrêté.
- 22. ÊTRE VIGILANT, SURVEILLER LE TRAVAIL EFFECTUÉ ET FAIRE PREUVE DE JUGEMENT LORS DE L'UTILISATION D'UN OUTIL ÉLECTRIQUE. NE PAS UTILISER UN OUTIL LORSQU'ON EST FATIGUÉ OU SOUS L'INFLUENCE DE DROGUES, ALCOOL OU MÉDICAMENTS.** Un moment d'inattention, durant l'utilisation d'un outil électrique, peut se solder par des blessures corporelles graves.
- 23. S'ASSURER QUE L'OUTIL EST DÉBRANCHÉ DE LA SOURCE D'ALIMENTATION** lors du montage, de la connexion ou déconnexion du moteur.
- 24. LA POUSSIÈRE PRODUITE** par certains bois et produits en bois peut nuire à la santé. Toujours utiliser la machinerie dans un endroit bien aéré, et veiller à le dépoussiérer correctement. Utiliser des systèmes de dépoussiérage lorsque c'est possible.

**CONSERVER CES DIRECTIVES.**

Les consulter souvent et les utiliser pour donner des directives aux autres.

# REGLES DE SECURITE SUPPLEMENTAIRES POUR LES PERCEUSES À COLONNE

**AVERTISSEMENT** LIRE ATTENTIVEMENT TOUTES LES MISES EN GARDE ET DIRECTIVES D'UTILISATION AVANT D'UTILISER CET ÉQUIPEMENT. À défaut de suivre les directives sous mentionnées, un choc électrique, un incendie, des dommages ou une blessure corporelle grave pourraient survenir.

- NE PAS UTILISER L'OUTIL JUSQU'À CE** qu'il soit entièrement assemblé et installé conformément à ces directives.
- DEMANDER CONSEIL** à un superviseur, instructeur, ou toute autre personne qualifiée si l'on ne maîtrise pas parfaitement l'utilisation de l'outil.
- SUIVRE TOUS LES CODES DE CÂBLAGE** et les connexions électriques recommandées.
- NE JAMAIS DÉMARRER LA MACHINE AVANT DE RETIRER DE LA TABLE** tout objet (outils, morceaux de déchet de découpe, etc.).
- NE JAMAIS DÉMARRER LA MACHINE** avec une mèche, un outil de coupe ou une ponceuse contre la pièce.
- SERRER TOUTES LES POIGNÉES DE VERROUILLAGE** avant de démarrer la machine.
- UTILISER SEULEMENT DES MÊCHES, OUTILS DE COUPE, CYLINDRES DE CONTACT OU AUTRES ACCESSOIRES** avec une queue de 12,7 mm (1/2 po) de diamètre ou moins.
- UTILISER SEULEMENT DES MÊCHES, OUTILS DE COUPE OU CYLINDRES DE CONTACT** intacts.
- VERROUILLER CORRECTEMENT LA MÊCHE, L'OUTIL DE COUPE, OU LE CYLINDRE DE CONTACT DANS LE MANDRIN** avant d'utiliser la machine.
- UTILISER LES VITESSES RECOMMANDÉES** pour toutes opérations.
- ÉVITER LES OPÉRATIONS MALADROITES ET ÉVITER D'AVOIR LES MAINS MAL PLACÉES**, en glissant soudainement, une main pourrait percuter la lame.
- TENIR LES BRAS, MAINS ET DOIGTS** éloignés de l'outil de coupe.
- TENIR FERMEMENT L'OUVRAGE CONTRE LA TABLE.** Ne pas percer un ouvrage si celui-ci ne repose pas sur un côté plat contre la table. Empêcher l'ouvrage de tourner en le rattachant à la table ou en le fixant contre la colonne de la perceuse.
- ÉTEINDRE LA MACHINE ET ATTENDRE QUE LA MÊCHE, L'OUTIL DE COUPE OU LA PONCEUSE S'ARRÊTE COMPLÈTEMENT** avant de nettoyer la zone de travail, d'enlever des débris, de retirer ou de fixer un ouvrage ou de changer l'angle de la table. Une mèche, un outil de coupe ou une ponceuse en mouvement peuvent être dangereux..
- SOUTENIR CORRECTEMENT** les ouvrages **LONGS OU LARGES**.
- NE JAMAIS EFFECTUER D'OPÉRATIONS DE TRAÇAGE, D'ASSEMBLAGE** ou de réglage sur la table/l'espace de travail lorsque la machine est en marche.
- ÉTEINDRE L'OUTIL** et le débrancher avant d'installer ou de retirer tout accessoire, avant d'ajuster ou de modifier les réglages ou lors de réparations.
- ÉTEINDRE L'OUTIL** et nettoyer la table/espace de travail avant de le laisser.
- VERROUILLER L'INTERRUPTEUR EN POSITION D'ARRÊT** afin d'empêcher toute utilisation non autorisée.
- DES INFORMATIONS SUPPLÉMENTAIRES** indiquant comment utiliser l'outil correctement et en toute sécurité, sont disponibles auprès du Power Tool Institute, 1300 Summer Avenue, Cleveland, OH 44115-2851 É.-U. Des informations sont également disponibles auprès du National Safety Council, 1121 Spring Lake Drive, Itasca, IL 60143-3201 É.-U. Se reporter à la norme ANSI 01.01 de l'American National Standards Institute concernant les machines de travail du bois, ainsi que la réglementation OSHA 1910.213. du département américain du travail.

## CONSERVER CES DIRECTIVES.

**AVERTISSEMENT** Certaines poussières produites par les activités de ponçage, de sciage, de meulage, de perçage et autres activités de construction peuvent contenir des produits chimiques pouvant causer le cancer, des anomalies congénitales ou d'autres problèmes liés aux fonctions reproductrices. Voici quelques exemples de ces produits chimiques :

- le plomb contenu dans les peintures à base de plomb;
- la silice cristalline de la brique, du ciment et d'autres produits de maçonnerie ; et
- l'arsenic et le chrome provenant du bois traité chimiquement.

Les risques reliés à l'exposition à ces poussières varient selon la fréquence à laquelle l'utilisateur travaille avec ce type de matériaux. Pour réduire son exposition à ces produits chimiques, travailler dans un endroit bien ventilé et porter un équipement de sécurité approuvé comme un masque antipoussières conçu spécialement pour filtrer les particules microscopiques.

- Éviter le contact prolongé avec les poussières produites par les activités de ponçage, sciage, meulage, perçage et autres activités de construction. Porter des vêtements de protection et laver les parties du corps exposées avec une solution d'eau et de savon. Le fait de laisser la poussière pénétrer dans la bouche et les yeux ou de la laisser reposer sur la peau, peut promouvoir l'absorption de produits chimiques nocifs.

**L'utilisation de cet outil peut produire et/ou disperser de la poussière, ce qui peut causer des problèmes respiratoires graves et permanents ou d'autres problèmes médicaux.** Porter toujours un appareil respiratoire approuvé par la NIOSH/OSHA pour se protéger des poussières. Diriger les particules loin du visage et du corps.

**Porter un dispositif de protection anti-bruit pendant l'utilisation de l'outil.** Dans certaines conditions et selon la durée d'utilisation, le bruit provoqué par ce produit peut contribuer à une perte auditive.

## CONNEXIONS ÉLECTRIQUES

Un circuit électrique séparé doit être utilisé pour vos machines. Ce circuit doit utiliser un câble de calibre 12 au minimum et doit être protégé par un fusible temporisé de 20 A. Si vous utilisez une rallonge électrique, n'utiliser que des rallonges à 3 fils pourvues d'une fiche de mise à la terre à 3 lames et un réceptacle correspondant à la fiche de la machine. Avant de brancher la machine sur le secteur, s'assurer que le ou les interrupteurs sont en position d'arrêt et veiller à ce que le courant électrique ait bien les mêmes caractéristiques que celles indiquées sur la machine. Tous les branchements doivent établir un bon contact. Si la machine fonctionne à basse tension, elle peut être endommagée.

**⚠ AVERTISSEMENT RISQUE DE CHOC ÉLECTRIQUE. NE PAS EXPOSER LA MACHINE À LA PLUIE NI L'UTILISER DANS UN ENDROIT HUMIDE.**

## DIRECTIVES DE MISE À LA TERRE

**⚠ AVERTISSEMENT RISQUE DE CHOC ÉLECTRIQUE. CETTE MACHINE DOIT ÊTRE MISE À LA TERRE LORS DE SON UTILISATION AFIN DE PROTÉGER L'UTILISATEUR CONTRE TOUT CHOC ÉLECTRIQUE.**

Votre machine est conçue pour être alimentée par un courant alternatif de 120 volts et 60 Hz. Avant de brancher la machine à la source d'alimentation, s'assurer que l'interrupteur est en position d'arrêt.

### 1. Pour toutes les machines mises à la terre, branchées à un cordon d'alimentation :

En cas de défaillance ou de panne, la mise à la terre permet un cheminement de moindre résistance pour le courant électrique afin de réduire le risque de choc électrique. Cette machine est munie d'un cordon d'alimentation doté d'un conducteur de mise à la terre d'équipement et d'une fiche de mise à la terre. La fiche doit être branchée sur une prise de courant correspondante qui est installée et mise à la terre conformément à tous les codes et à toutes les ordonnances à l'échelle locale.

Ne pas modifier la fiche fournie; si elle ne s'insère pas dans la prise de courant, faire installer une prise appropriée par un électricien professionnel.

Si le conducteur de mise à la terre d'équipement n'est pas correctement connecté, ceci peut provoquer un choc électrique. Le conducteur de mise à la terre d'équipement est le conducteur avec isolation qui a une surface extérieure verte à rayures jaunes (ou sans). S'il est nécessaire de faire réparer ou remplacer le cordon électrique ou la fiche, ne pas connecter le conducteur de mise à la terre d'équipement à une borne sous tension.

Vérifier auprès d'un électricien ou d'un personnel de réparation professionnels si les directives de mise à la terre ne sont pas parfaitement comprises, ou en cas de doute sur le fait que la machine soit correctement mise à la terre ou non.

Utiliser uniquement une rallonge à 3 fils pourvue d'une fiche de mise à la terre à 3 lames et une prise à 3 conducteurs correspondant à la fiche de la machine, comme le montre la fig. A.

Réparer ou remplacer immédiatement le cordon s'il est endommagé ou usé.

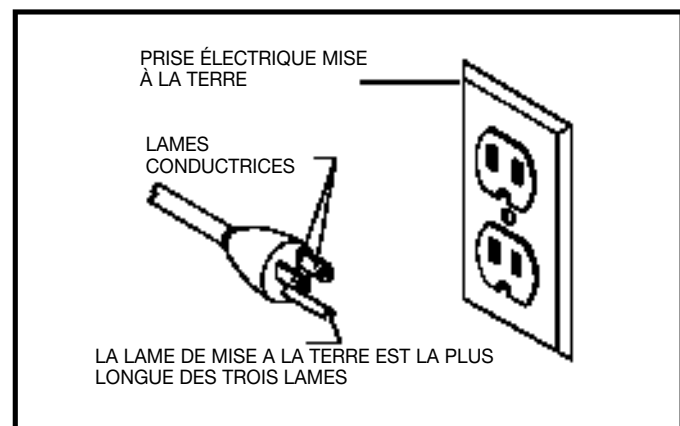


Fig. A

### 2. Pour les machines mises à la terre et branchées à un cordon d'alimentation utilisées sur un circuit d'alimentation de régime nominal inférieur à 150 V :

Si la machine est utilisée sur un circuit dont la prise de courant ressemble à celle de la figure A, la machine aura alors une fiche de mise à la terre semblable à celle de la figure A. Un adaptateur temporaire, qui ressemble à celui de la figure B, peut être utilisé pour connecter cette fiche à une prise à 2 conducteurs, comme le montre la figure B, s'il n'existe aucune prise de courant correctement mise à la terre. L'adaptateur temporaire ne doit être utilisé que jusqu'à ce qu'un électricien qualifié puisse installer une prise électrique correctement mise à la terre. L'oreille rigide et la cosse de couleur verte (et tout ensemble semblable) dépassant de l'adaptateur doivent être connectées à une mise à la terre permanente, telle qu'une prise correctement mise à la terre. Chaque fois que l'adaptateur est utilisé, il doit être maintenu en place par une vis métallique.

**REMARQUE : au Canada, l'utilisation d'un adaptateur temporaire n'est pas autorisée par le Code électrique canadien.**

**⚠ AVERTISSEMENT RISQUE DE CHOC ÉLECTRIQUE DANS TOUS LES CAS, S'ASSURER QUE LA PRISE DE COURANT EN QUESTION EST CORRECTEMENT MISE À LA TERRE. SI VOUS N'EN ÊTES PAS SÛR, DEMANDEZ À UN ÉLECTRICIEN PROFESSIONNEL DE VÉRIFIER LA PRISE.**

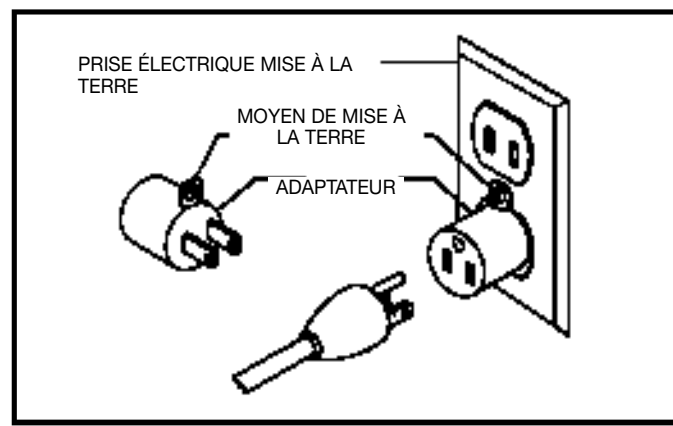


Fig. B



## RALLONGES ÉLECTRIQUES

**⚠ AVERTISSEMENT** Utiliser les rallonges électriques appropriées. S'assurer que la rallonge est en bon état et qu'il s'agit d'une rallonge à 3 fils avec une fiche de mise à la terre à 3 lames et prise de courant compatible avec la fiche de la machine. Lorsque qu'une rallonge électrique est utilisée, s'assurer d'en utiliser une de calibre suffisamment élevé pour assurer le transport du courant de la machine. Un cordon de calibre inférieur causera une chute de tension de ligne et donc une perte de puissance et une surchauffe. La fig. C montre le calibre correct à utiliser selon la longueur de la rallonge. En cas de doute, utiliser le calibre suivant le plus gros. Plus le numéro de calibre est petit, plus le cordon est lourd.

<b>RALLONGE DE CALIBRE MINIMUM</b>			
CALIBRES RECOMMANDÉS POUR UNE UTILISATION AVEC DES MACHINES			
ÉLECTRIQUES D'ÉTABLI			
Intensité nominale	Volts	Longueur totale du cordon en pieds	Calibre de la rallonge
0-6	120	jusqu'à 25	18 AWG
0-6	120	25-50	16 AWG
0-6	120	50-100	16 AWG
0-6	120	100-150	14 AWG
6-10	120	jusqu'à 25	18 AWG
6-10	120	25-50	16 AWG
6-10	120	50-100	14 AWG
6-10	120	100-150	12 AWG
10-12	120	jusqu'à 25	16 AWG
10-12	120	25-50	16 AWG
10-12	120	50-100	14 AWG
10-12	120	100-150	12 AWG
12-16	120	jusqu'à 25	14 AWG
12-16	120	25-50	12 AWG
12-16	120	SUPÉRIEURE À 50 PIEDS NON RECOMMANDÉE	

Fig. C

## DESCRIPTION FONCTIONNELLE

### AVANT-PROPOS

Le modèle SM300 ShopMaster est une perceuse à colonne d'établi avec un moteur de 1/4 HP et une lampe de travail flexible. Le modèle SM300 effectue la plupart des opérations de perceuse à colonne.

### DÉSEMBALLAGE ET NETTOYAGE

Désemballer soigneusement la machine et toutes les pièces de ou des emballage(s) d'expédition. Retirer le revêtement protecteur de toutes les surfaces non peintes. Le revêtement peut être retiré avec un chiffon doux humidifié avec du kérosène (ne pas utiliser d'acétone, d'essence ou de diluant à laque). Après nettoyage, couvrir les surfaces non peintes d'une cire à parquets d'usage domestique de bonne qualité.

**AVIS : LA PHOTO DE LA COUVERTURE DU MODE D'EMPLOI ILLUSTRE LE MODÈLE DE PRODUCTION ACTUEL. LES AUTRES ILLUSTRATIONS NE SONT PRÉSENTES QU'À TITRE INDICATIF ET IL EST POSSIBLE QUE LA COULEUR, LES ÉTIQUETTES, OU LES ACCESSOIRES, QUI ONT UNIQUEMENT POUR BUT D'ILLUSTRER LA TECHNIQUE, DIFFÉRENT DES CARACTÉRISTIQUES RÉELLES DE CE MODÈLE.**

# PIÈCES DE LA PERÇEUSE À COLONNE

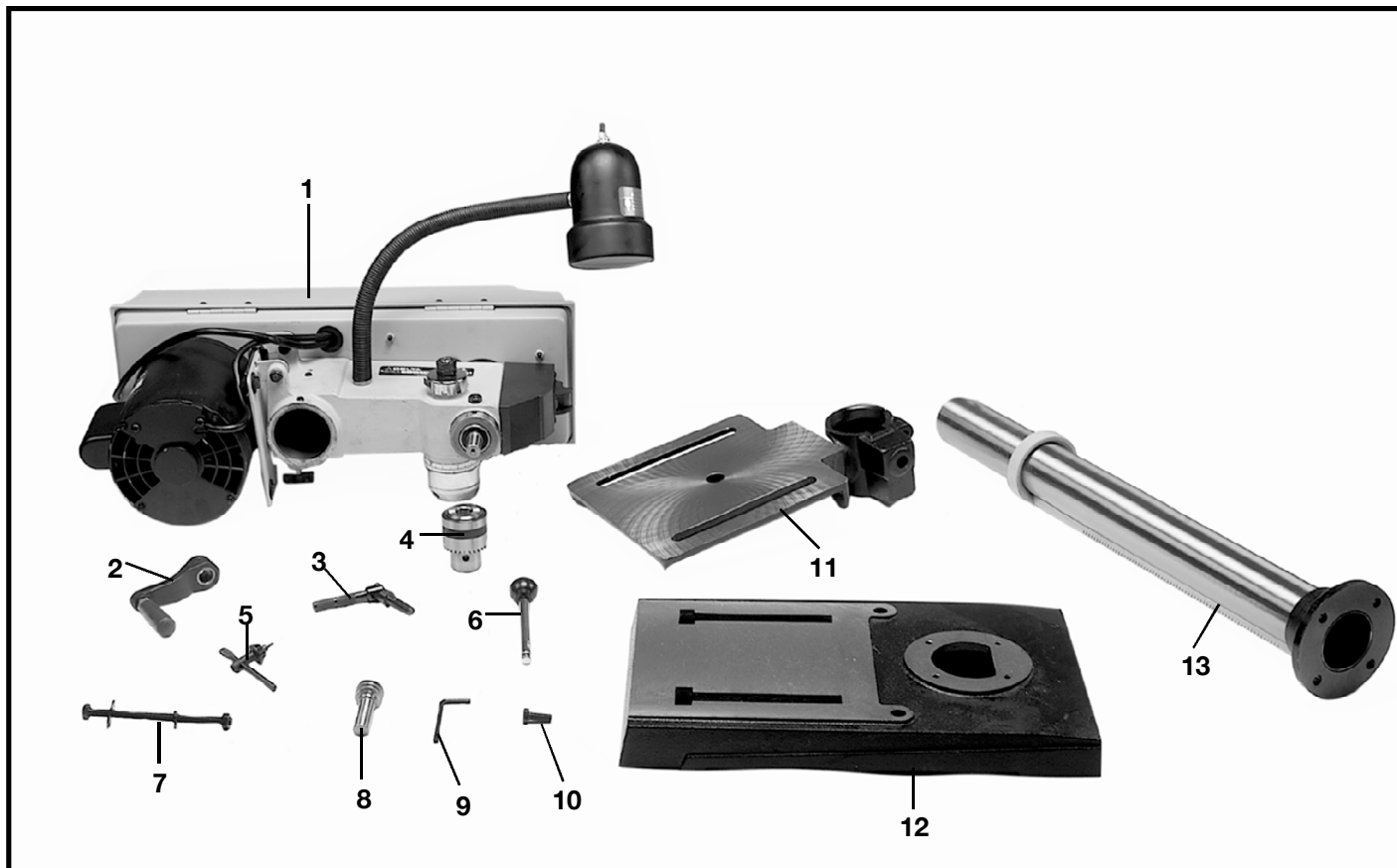


Fig. 2

- 1 - Tête et moteur de la perceuse à colonne
- 2 - Poignée de soulèvement et d'abaissement de la table
- 3 - Étau de table
- 4 - Mandrin
- 5 - Clé de mandrin
- 6 - (3) poignées de l'arbre de pignon
- 7 - (2) vis de carrosserie M8x1,25x125 mm, (2) rondelles plates M8, (2) rondelles de blocage M8.1, (2) écrous hexagonaux M8x1,25 (pour la fixation de la base à une surface de support)
- 8 - Vis sans fin pour soulever et abaisser la table
- 9 - (2) clés Allen

- 10 - (4) Vis d'assemblage à tête hexagonale M8x1,25x25 mm
- 11 - Table
- 12 - Base
- 13 - Colonne, bride et crémaillère de la base

## ASSEMBLAGE

**⚠ AVERTISSEMENT** Pour sa propre sécurité, ne pas brancher la machine à une source d'alimentation jusqu'à ce que la machine soit entièrement assemblée, ni avant d'avoir lu et compris l'intégralité de ce mode d'emploi.

### OUTILS NÉCESSAIRES POUR L'ASSEMBLAGE

- 1.) 2 clés hexagonales - fournies
- 2.) marteau-caoutchouc

### DURÉE ESTIMÉE POUR L'ASSEMBLAGE

une heure ou moins

# ASSEMBLAGE

**⚠ AVERTISSEMENT** POUR SA PROPRE SÉCURITÉ, NE PAS BRANCHER LA MACHINE À UNE SOURCE D'ALIMENTATION JUSQU'À CE QUE LA MACHINE SOIT ENTIÈREMENT ASSEMBLÉE, NI AVANT D'AVOIR LU ET COMPRIS L'INTÉGRALITÉ DE CE MODE D'EMPLOI.

1. Assembler la colonne (A, fig. 3) à la base (B) à l'aide des quatre vis dont trois sont montrées en (C). Desserrer la vis de calage (D) puis déposer l'anneau (E) et la crémaillère (F).

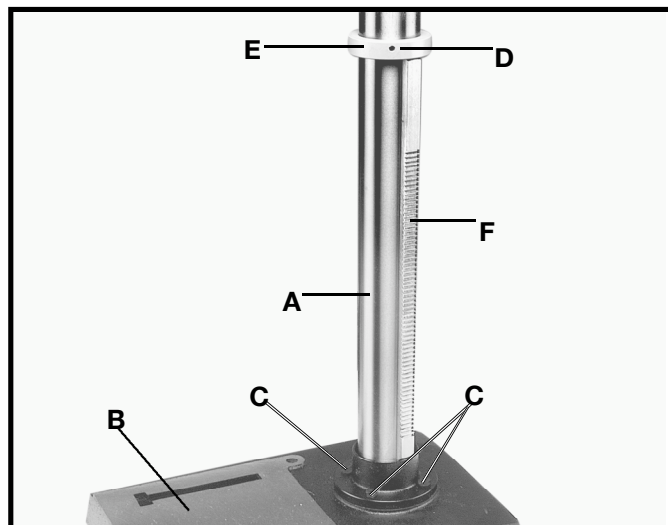


Fig. 3

2. S'assurer que la vis sans fin (G, figures 4 et 5) est en place dans le support de la table (H) comme illustré.

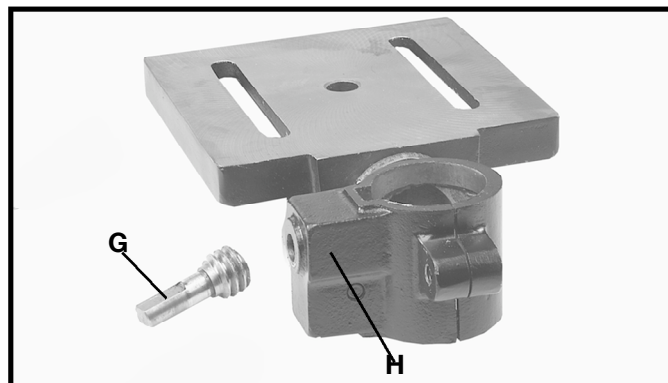


Fig. 4

3. Insérer la crémaillère (F, fig. 6) déposée à l'ÉTAPE 1, dans la rainure du support de la table tout en s'assurant que les dents de la vis sans fin (G), située à l'intérieur u support de la table, sont engagées avec celles de la crémaillère (F).

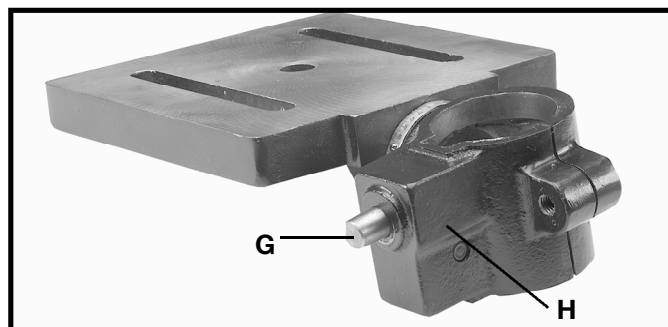


Fig. 5

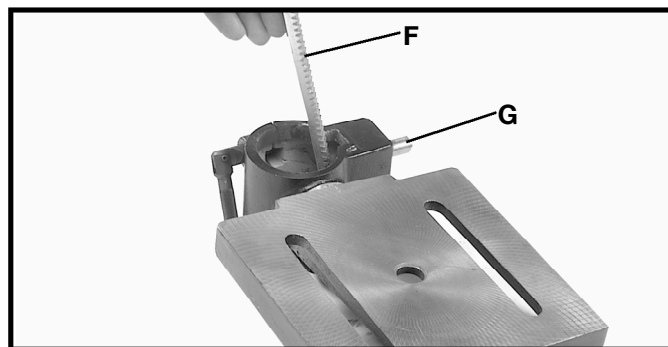


Fig. 6

4. Insérer la crémaillère (F, fig. 7), la table et le support de table sur la colonne de la perceuse comme illustré. S'assurer que la partie inférieure de la crémaillère (F, fig. 8) est à l'intérieure de la bride (J) de la base de la perceuse à colonne.

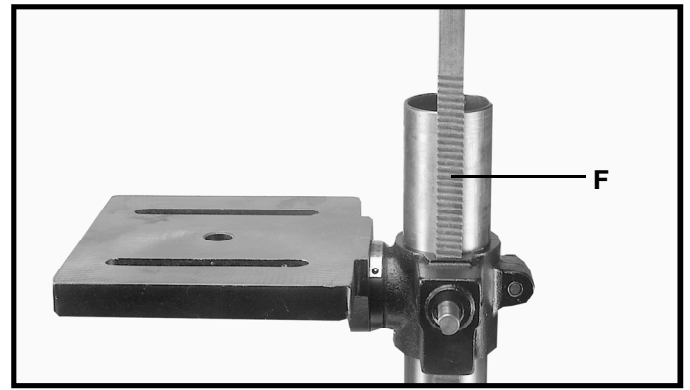


Fig. 7

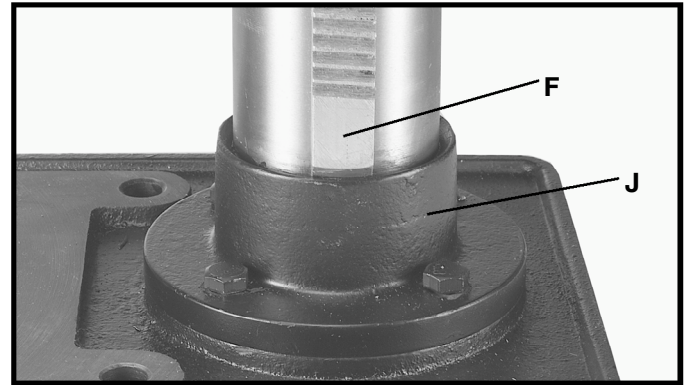


Fig. 8

5. Réassembler l'anneau (E, fig. 9) déposé à **L'ÉTAPE 1**. **IMPORTANT** : la partie inférieure de l'anneau (E) **NE DOIT PAS** être enfoncé complètement jusqu'à atteindre le dessus de la crémaillère (F). S'. **ASSURER** que la partie supérieure de la crémaillère (F) est sous la surface inférieure de l'anneau (E) et qu'il y a assez de dégagement pour permettre à la crémaillère (F) de tourner autour de la colonne. **PUIS SERRER LA VIS DE CALAGE (D), VEUILLEZ À NE PAS TROP SERRER.**

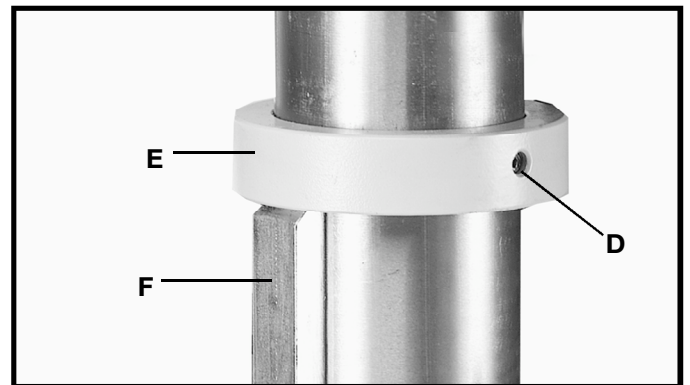


Fig. 9

6. Fixer la poignée (K, fig. 10), qui lève et abaisse la table, à la tige de la vis sans fin (G) et serrer la vis de calage (L) contre la partie plate de la tige.

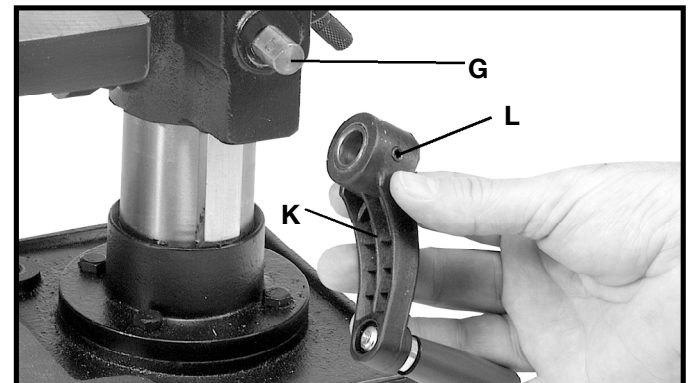


Fig. 10

7. Visser le montant de la poignée de fixation (M, fig. 12) dans le trou à l'arrière du support de la table comme illustré.

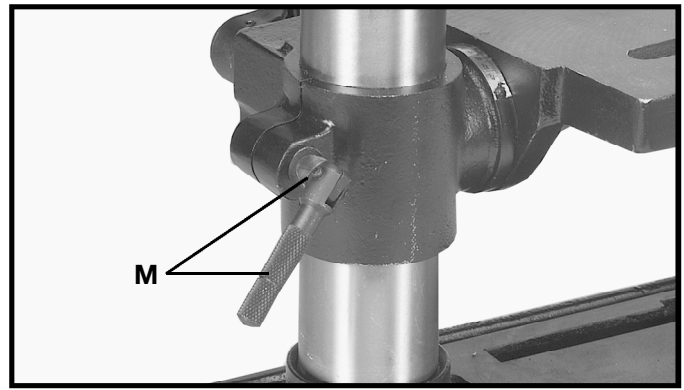


Fig. 12

8. Glisser la tête de la perceuse à colonne (N, fig. 13) sur la colonne aussi loin que possible. Aligner la tête (A, fig. 13A) avec la table (B) et la base (C). Serrer les deux vis de blocage (O, fig. 13) avec la clé fournie.

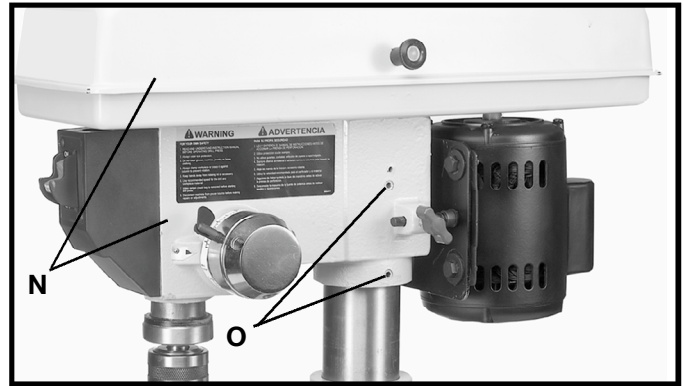


Fig. 13

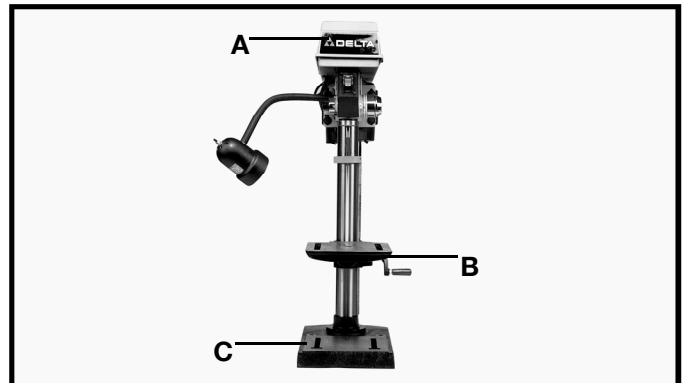


Fig. 13A

9. Visser les trois poignées (P, fig. 14) de l'arbre pignon dans les trois trous taraudés situés sur l'arbre pignon (S) comme illustré.

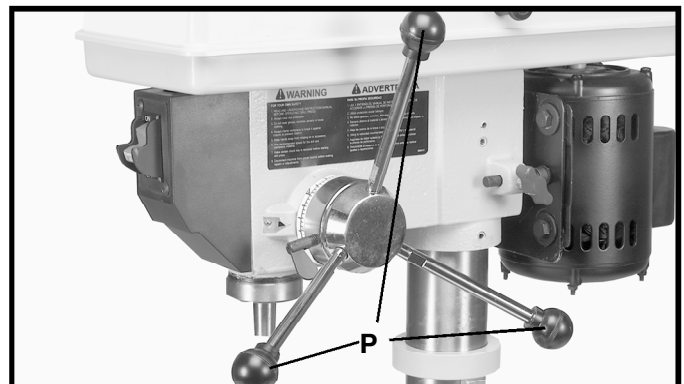


Fig. 14



10. **IMPORTANT** : s'assurer que la broche conique (Q, fig. 17) et le trou taraudé du mandrin (R) sont propres et exempts toute graisse et de couches protectrices de vernis ou d'antirouille. **REMARQUE** : un nettoyant à four domestique nettoie efficacement toute substance de la broche et du mandrin; toutefois, suivre soigneusement les consignes de sécurité du fabricant lors de son utilisation.

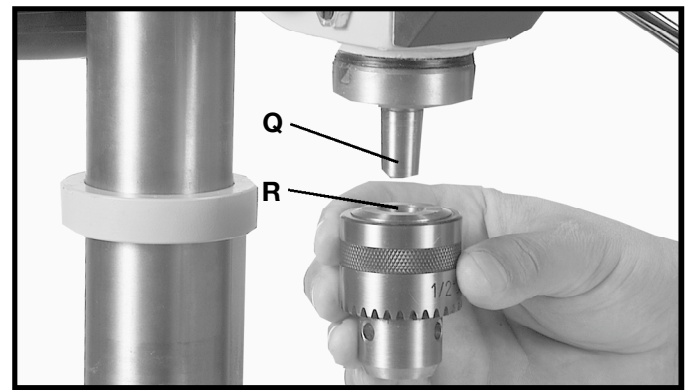


Fig. 15

11. **IMPORTANT**: ouvrir les mâchoires du mandrin autant que possible en tournant le manchon du mandrin (S, fig. 16).

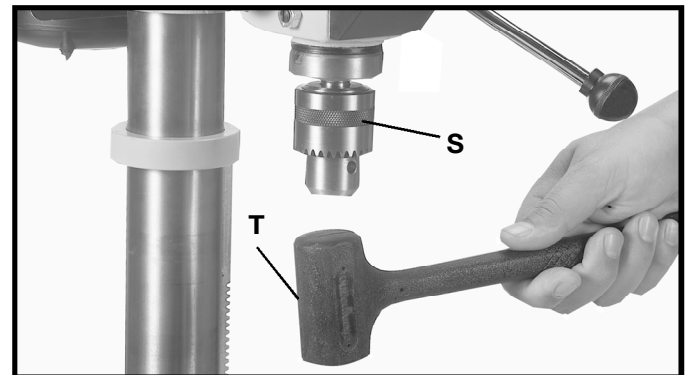


Fig. 16

12. Tenir le mandrin sur le bout conique de la broche et frapper avec un marteau-caoutchouc (T), ou un bloc de bois et un marteau, pour fixer le mandrin, comme indiqué à la figure 16. **IMPORTANT** : pour empêcher tout dommage au mandrin, **NE JAMAIS** enfoncer le mandrin sur la broche à l'aide d'un marteau en métal.

## FIXATION DE LA PERCEUSE À COLONNE À LA SURFACE DE SUPPORT

Si en cours de fonctionnement, la machine tend à basculer, « marcher », ou glisser sur la surface de support, la machine doit être fixée à la surface de support à l'aide d'une vis de carrosserie de M8x1,25x125 mm, une rondelle plate de 8,5 mm, une rondelle de blocage de 8,5 mm et d'un écrou hexagonal M8x1,25 à travers les deux trous (A, fig. 17) situés à la base de la machine.

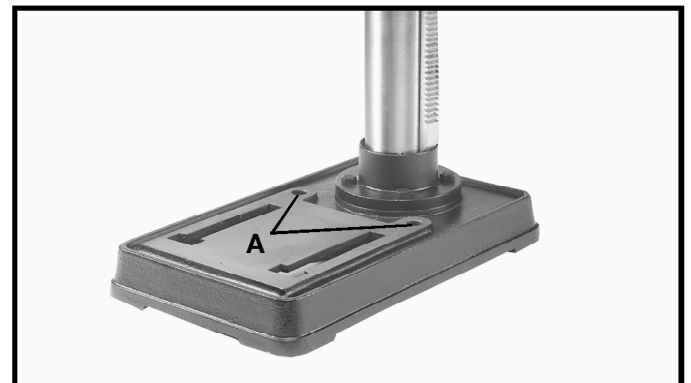


Fig. 17

## UTILISATION DES COMMANDES ET RÉGLAGES

### DÉMARRAGE ET ARRÊT DE LA PERCEUSE À COLONNE

L'interrupteur (A, fig.18) est situé à l'avant de la tête de la perceuse à colonne. Pour mettre en marche la perceuse à colonne, placer l'interrupteur à la position « MARCHE » (ON). Pour l'éteindre placer l'interrupteur à la position « ARRÊT » (OFF).

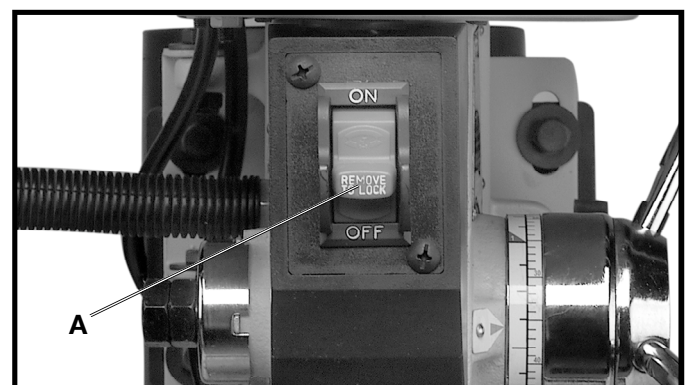


Fig. 18

# VERROUILLAGE DE L'INTERRUPTEUR EN POSITION D'« ARRÊT »

**IMPORTANT:** lorsque la machine n'est pas utilisée, l'interrupteur doit être verrouillé en position d'« arrêt » (off) pour empêcher toute utilisation non autorisée. La machine se verrouille en pinçant la bascule de l'interrupteur (B) et en la retirant comme indiqué à la figure 19. Une fois la bascule de l'interrupteur (B) absente, l'interrupteur est désactivé. Toutefois, si la bascule de l'interrupteur est retiré alors que la perceuse à colonne fonctionne, il est possible d'éteindre la perceuse une fois mais la bascule (B) doit être insérée de nouveau pour permettre la mise en marche.

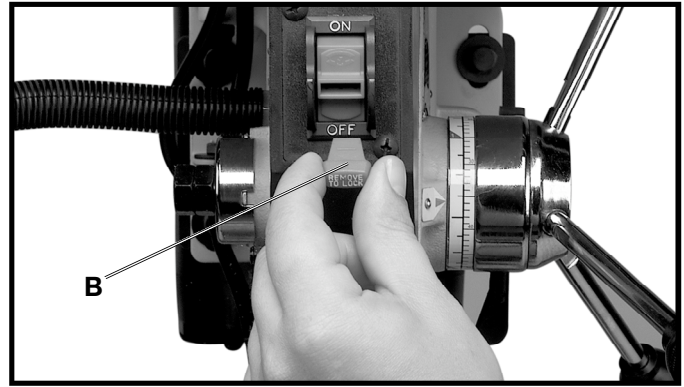


Fig. 19

## LAMPE FLEXIBLE

La lampe flexible de travail fonctionne indépendamment de la perceuse à colonne. Pour allumer et éteindre la lampe, tourner l'interrupteur (A, fig. 19A).

**⚠ AVERTISSEMENT** pour réduire le risque d'incendie, utiliser une ampoule de moins de 40 watts, de 120 V, du type réflecteur sur rail (non fournie). Ne pas utiliser une ampoule normale domestique. L'ampoule, de type réflecteur sur rail, ne doit pas dépasser le garde-vue.

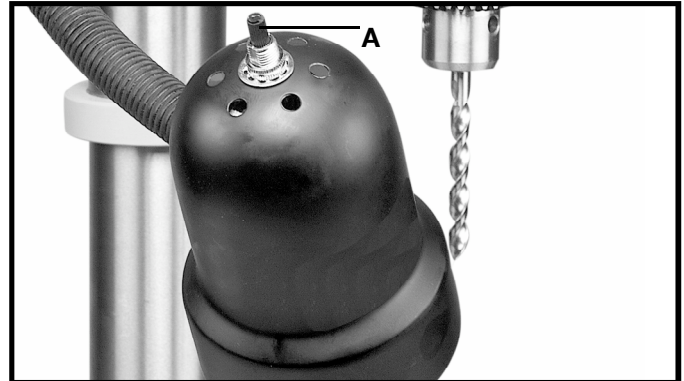


Fig. 19A

## RÉGLAGES DE LA TABLE

1. La table se soulève et se baisse sur la colonne de la perceuse en desserrant l'étau d'établi (A, fig. 20) et en tournant la poignée qui lève et abaisse la table (B, fig. 21). Une fois la table à la hauteur souhaitée, serrer l'étau (A, fig. 20). **REMARQUE** : la position finale de la table de la perceuse à colonne devrait toujours être de la position inférieure à la position supérieure.

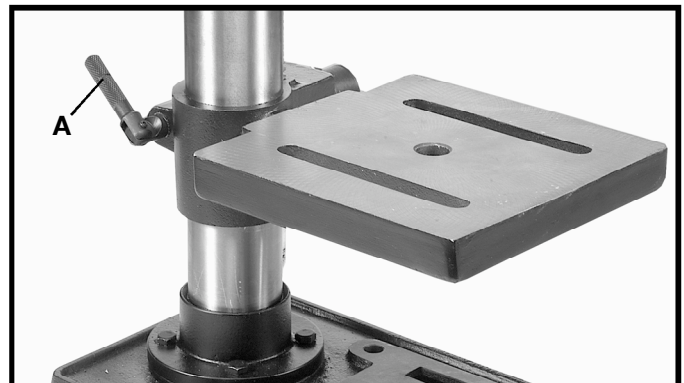


Fig. 20

2. En desserrant l'étau de table (A, fig. 20), la table pivote sur 360 degrés sur la colonne. Pivoter la table à la position souhaitée et serrer l'étau de table.

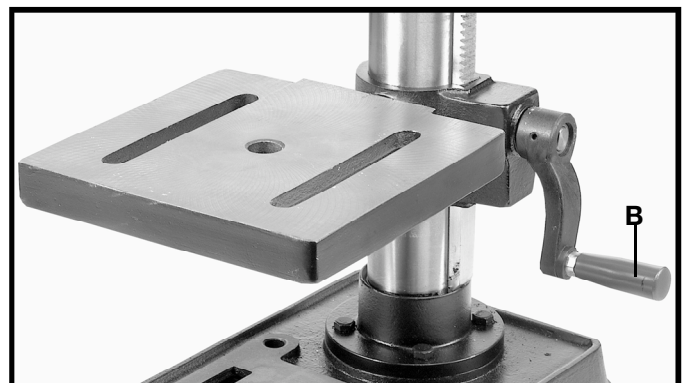


Fig. 21

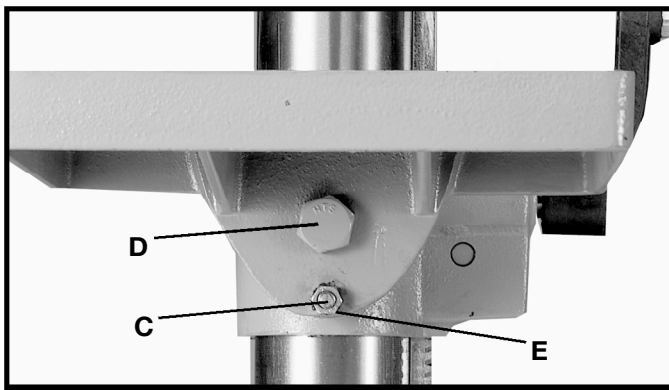


Fig. 22

3. Retirer la goupille d'alignement de la table (C, fig. ) et incliner la table à droite ou à gauche. 22. **REMARQUE :** s'il est difficile de retirer la goupille(C), tourner l'écrou (E) en sens horaire pour retirer la goupille du boîtier.

4. La figure 23 illustre l'outil sans la goupille d'alignement de la table (C). Desserrer le boulon de blocage (D) de la table, incliner la table à l'angle souhaité et resserrer le boulon (D). Remettre la goupille d'alignement (C) de la table lorsque la table retourne en position horizontale (à niveau) Ainsi, la surface de la table sera perpendiculaire à la broche.

5. Le support de table moulé comporte une échelle d'angles (E, fig. 24) qui indique le degré d'inclinaison. La table possède aussi une ligne de repère et une marque de zéro (F) pour aligner la table avec l'échelle (E).

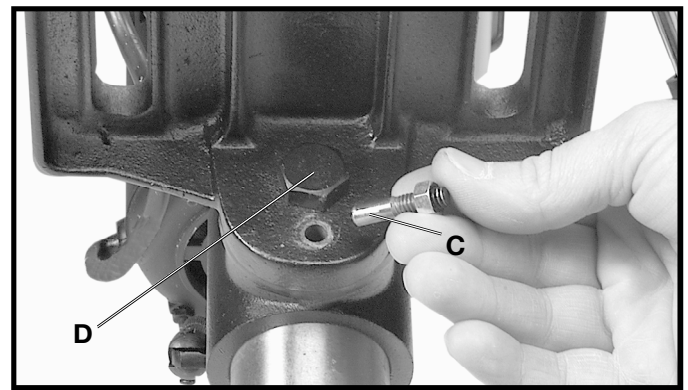


Fig. 23

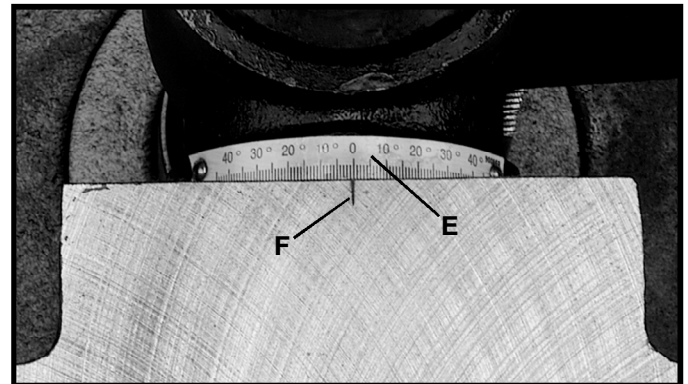


Fig. 24

## VITESSES DE BROCHE

Cinq régimes de rotation de broche sont disponibles avec la perceuse à colonne : 620, 1100, 1720, 2340 et 3100 tr/min. La figure 25 illustre les positions de la courroie sur les poulies de la broche et le pas du moteur pour obtenir les cinq vitesses disponibles.

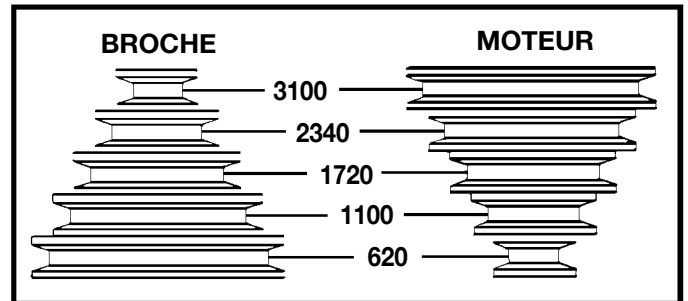


Fig. 25

## CHANGEMENT DE VITESSES ET RÉGLAGE DE LA TENSION DE LA COURROIE

1. **DÉBRANCHER LA MACHINE DE LA SOURCE D'ALIMENTATION.**

2. Soulever la courroie et la protection de la poulie (A, fig. 26).

3. Relâcher la tension de la courroie en desserrant le bouton de verrouillage de la tension (B, fig. 26) et pivoter le moteur (D) en direction de l'avant de la perceuse à colonne.

4. Avec le moteur dans cette position, placer la courroie(C) sur les pas souhaités du moteur et des poulies de la broche comme indiqué à la figure 26.

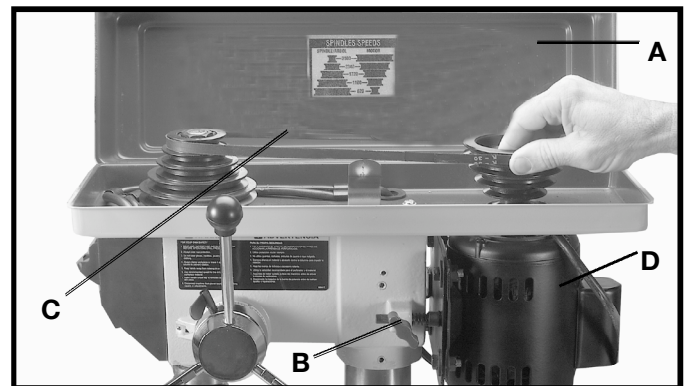


Fig. 26



5. Une fois la courroie en position sur les pas du moteur et les poulies de la broche, déplacer le moteur (D, fig. 26) vers l'arrière jusqu'à ce que la courroie soit correctement tendue puis serrer le bouton de verrouillage de la tension (B). La courroie doit être tendue juste assez pour l'empêcher de glisser. Une tension excessive réduira la durée de vie de la courroie, des poulies et du roulement. On atteint une bonne tension lorsque la courroie (C) s'enfonce d'environ 2,5 cm (1 po) avec une légère pression du doigt à mi-chemin entre les poulies.

## PERÇAGE DE TROUS À PROFONDEUR DÉFINIE

Une butée d'arrêt est intégrée, dans l'enveloppe de l'arbre pignon, lorsqu'un nombre de trous seront percés à exactement la même profondeur. Elle s'utilise de la façon suivante :

### 1. DÉBRANCHER LA MACHINE DE LA SOURCE D'ALIMENTATION.

2. Insérer la mèche dans le mandrin.

3. Abaisser la broche jusqu'à ce que le pointeur (C, fig. 27) s'aligne avec la marque sur l'échelle (D), à la profondeur à laquelle les trous seront percés. Puis serrer la vis de calage (A). Ramener la broche à la position élevée.

4. Déposer, sur la table de la perceuse à colonne, le matériel qu sera percé. Élever la table de la perceuse à colonne jusqu'à ce que le matériel touche à peine à la mèche.

5. Percer un trou d'essai pour vérifier le réglage et réajuster le cas échéant. Tous les trous seront alors percés exactement à la même profondeur indiquée sur l'échelle (D, fig. 27). **REMARQUE** : l'échelle (D) est étalonnée en pouces et en millimètres.

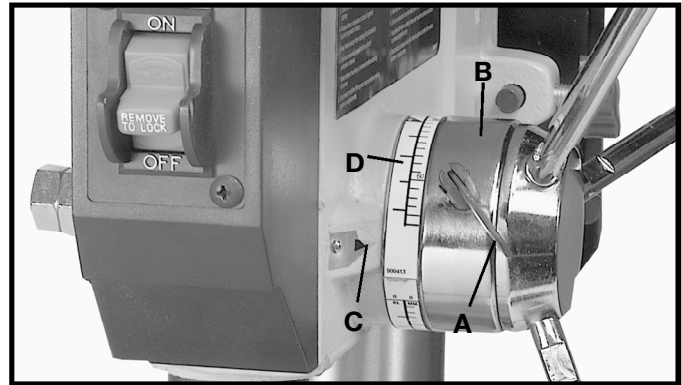


Fig. 27

## RÉGLAGE DU RESSORT DE RAPPEL DE LA BROCHE

La broche retourne automatiquement à la position la plus élevée dès que la poignée est relâchée. On recommande de laisser la poignée revenir lentement vers le haut après le perçage de chaque trou dans le matériel. Le ressort de rappel a été correctement réglé en usine et ne devrait pas être manipulé sauf si absolument nécessaire. Pour régler le ressort de rappel, suivre la procédure suivante :

### 1. DÉBRANCHER LA MACHINE DE LA SOURCE D'ALIMENTATION.

2. Desserrer les écrous (B et E, fig. 28). S'assurer que l'enveloppe (A) du ressort demeure engagé avec le moulage de la tête.

3. Tout en **MAINTENANT SOLIDEMENT** l'enveloppe du ressort (A, fig. 29) retirer l'enveloppe et la tourner jusqu'à ce que la protubérance (D) s'engage dans la prochaine coche de celle-ci. Tourner l'enveloppe en sens antihoraire pour augmenter la tension du ressort ou en sens horaire pour la diminuer. Visser l'écrou (E) jusqu'à ce qu'il touche l'enveloppe (A) du ressort puis le dévisser d'un quart de tour pour que l'écrou (E) se décolle de l'enveloppe du ressort (A). Serrer l'écrou (B) contre l'écrou (E) pour maintenir l'enveloppe en position. **IMPORTANT** : l'écrou interne (E) ne doit pas toucher l'enveloppe du ressort (A) lorsque serré.

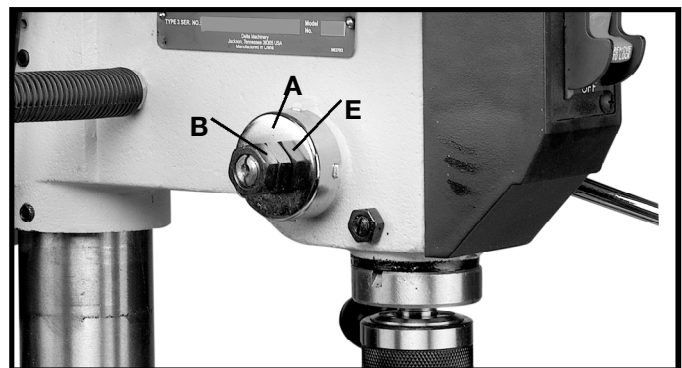


Fig. 28

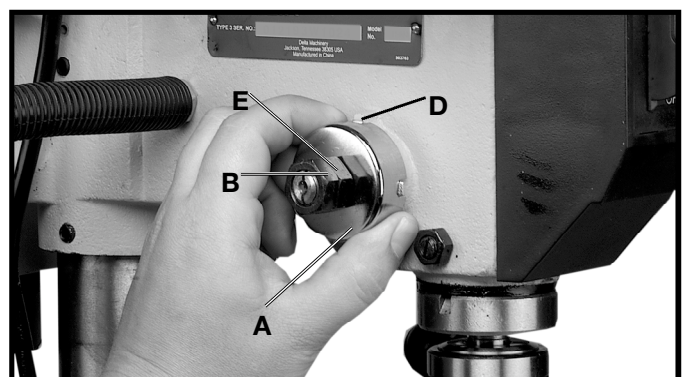


Fig. 29

# FONCTIONNEMENT

La perceuse à colonne est conçue pour fonctionner avec des mèches à queues de 12,7 mm (1/2 po) de diamètre ou moins. Les directives suivantes donneront à l'opérateur sans expérience une idée des principales opérations de la perceuse à colonne. Effectuer des essais sur des déchets de découpe avant de percer une vraie pièce.

**⚠ AVERTISSEMENT** l'utilisation de pièces et accessoires non recommandés par Delta risque de provoquer une blessure.

**IMPORTANT** : lorsque la pièce est assez longue, elle devrait toujours être positionnée sur la table avec une extrémité contre le côté gauche de la colonne comme indiqué à la figure 30.

Cette position empêche la pièce de tourner avec la mèche ou l'outil de coupe, endommageant ainsi la pièce ou blessant l'opérateur. S'il est impossible d'appuyer la pièce contre la colonne, celle-ci devrait toujours être fixée à la table à l'aide de pinces de travail ou un étau.



Fig. 30

## INSERTION ET RETRAIT DE MÈCHES

1. DÉBRANCHER LA MACHINE DE LA SOURCE D'ALIMENTATION.

2. Insérer l'extrémité lisse de la mèche (A, fig.31) dans le mandrin (B) aussi loin que possible puis retirer la mèche de 1,6 mm (1/16 po) ou, pour les mèches courtes, insérer jusqu'aux cannelures.

3. S'assurer que la mèche (A, fig. 31) est centrée dans le mandrin (B) avant de serrer le mandrin à l'aide de la clé (C).

4. Tourner la clé de mandrin (C, fig. 31) en sens horaire pour serrer et en sens antihoraire pour desserrer les mâchoires du mandrin.

5. Serrer les trois mâchoires du mandrin pour fixer solidement la mèche pour qu'elle ne puisse glisser en cours de perçage.

6. **S'ASSURER QUE** la clé de mandrin (C, fig. 31) est retirée du mandrin avant de démarrer la perceuse à colonne. La clé de mandrin (C) est dotée d'une goupille auto-éjectable (D) qui aide à minimiser le risque associé à un oubli.

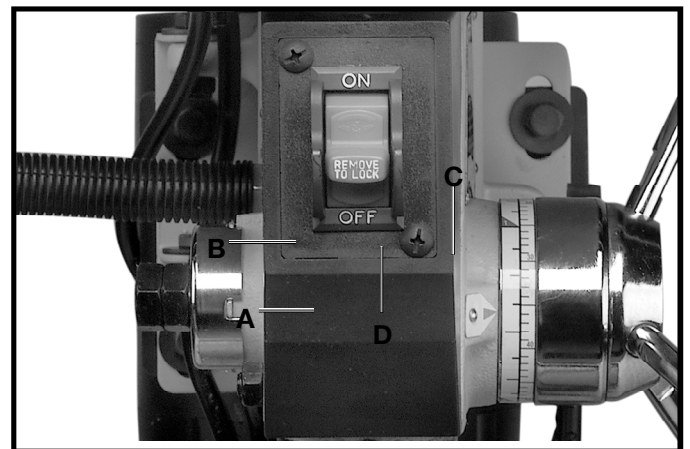


Fig. 31



# DÉPANNAGE

## VITESSES CORRECTES DE PERÇAGE

Le type de matériel à percer, la dimension du trou, le type de mèche ou tout autre couteau et la qualité recherchée de la coupe sont des facteurs qui déterminent le régime approprié.

**⚠ AVERTISSEMENT** utiliser la vitesse (régime) de perçage pour la mèche de la perceuse à colonne et le matériel de la pièce.

## PERÇAGE DU BOIS

Les forets hélicoïdaux, conçus d'abord pour le perçage de métaux, s'utilisent aussi pour le perçage du bois. Toutefois, les mèches à bois s'utilisent généralement pour le travail du bois; elles coupent un trou à fond plat et sont conçues pour éliminer les rognures de bois. Ne pas utiliser de mèches à pointe de vis. En effet, aux vitesses de perçage de la perceuse à colonne, ces mèches pénètrent le bois si rapidement qu'elles soulèvent la pièce de la table et la font tourbillonner.

Pour un perçage de part et d'autre et pour éviter d'endommager la table, aligner la table de sorte que la mèche percera dans le trou au centre. Tracer une ligne verticale devant la colonne et une marque correspondante sur le support de la table et la tête de la perceuse à colonne de sorte que la table et la tête puissent se fixer en position centrale à n'importe quelle hauteur.

Diminuer le régime de la mèche lorsque celle-ci atteint presque l'autre côté de la pièce pour éviter l'éclatement de la face inférieure en bois. Utiliser un déchet de découpe comme bloc en bois sous la pièce pour aider à diminuer l'éclatement du bois et à protéger la pointe de la mèche.

## PERÇAGE DU MÉTAL

Utiliser des brides pour maintenir la pièce lors du perçage de métaux. Ne jamais tenir la pièce à mains nues. La mèche peut se gripper dans la pièce à tout moment principalement lorsqu'elle perce la pièce. Si la pièce est arrachée des mains de l'opérateur, ce dernier risque d'être blessé. La mèche se brisera si la pièce frappe la colonne.

La pièce doit être solidement fixée lors du perçage. Toute inclinaison, torsion ou déplacement formera non seulement un trou à bords grossiers mais augmente aussi le bris de mèche. Pour un ouvrage plat, déposer la pièce sur une base de bois et la fixer fermement contre la table pour l'empêcher de tourner. Si la pièce est de forme irrégulière et ne peut reposer à plat sur la table, elle devra être bloquée et fixée solidement.

## Tableau des régimes pour perceuse à colonne Delta

Vitesses de fonctionnement recommandées (en tr/min)

Accessoire	Matériel					
	BOIS TENDRE	BOIS DUR	ACRYLIQUE	LAITON	ALUMINIUM	ACIER
<b>FORÈTS HÉLICOÏDAUX</b>						
1/16 à 3/16 po	3000	3000	2500	3000	3000	2000
1,5 à 5mm	3000	3000	2500	3000	3000	3000
1/4 à 3/8 po	3000	1500	2000	1200	2500	1000
6 à 10mm	3000	1500	2000	1200	2500	1000
7/16 à 5/8 po	1500	750	1500	750	1500	600
11 à 18mm	1500	750	1500	750	1500	600
11/16 à 1 po	750	500	NR	400	1000	NR
17 à 27mm	750	500	NR	400	1000	NR
<b>FORÈTS À POINTE</b>						
3 mm (1/8 po)	1800	1200	1500	NR	NR	NR
6 mm (1/4 po)	1800	1000	1500	NR	NR	NR
10 mm (3/8 po)	1800	750	1500	NR	NR	NR
13 mm (1/2 po)	1800	750	1000	NR	NR	NR
16 mm (5/8 po)	1800	500	750	NR	NR	NR
19 mm (3/4 po)	1400	250	750	NR	NR	NR
22 mm (7/8 po)	1200	250	500	NR	NR	NR
25 mm (1 po)	1000	250	200	NR	NR	NR
<b>MÈCHES EMPORTE-PIÈCE (FORSTNER)</b>						
6 à 10 mm (1/4 à 3/8 po)	2400	700	250	NR	NR	NR
13 à 16 mm (1/2 à 5/8 po)	2400	500	250	NR	NR	NR
19 à 25 mm (3/4 à 1 po)	1500	500	250	NR	NR	NR
29 à 32 mm (1 1/8 à 1 1/4 po)	1000	250	250	NR	NR	NR
35 à 51 mm (1 3/8 à 2 po)	500	250	NR	NR	NR	NR
<b>FORÈTS PLATS À TROIS POINTES (also = FORÈTS PLATS)</b>						
6 à 13 mm (1/4 à 1/2 po)	2000	1500	NR	NR	NR	NR
16 à 25 mm (5/8 à 1 po)	1750	1500	NR	NR	NR	NR
29 à 38 mm (1 1/8 à 1 1/2 po)	1500	1000	NR	NR	NR	NR
<b>FORÈTS PLATS À TROIS POINTES AVEC AILETTES</b>						
10 à 25 mm (3/8 à 1 po)	2000	1800	500	NR	NR	NR

NR - Non recommandé



FORÈTS HÉLICOÏDAUX



FORÈTS À POINTE



MÈCHES EMPORTE-PIÈCE (FORSTNER)



FORÈTS PLATS À TROIS POINTES



FORÈTS PLATS À TROIS POINTES (avec ailettes)

# ACCESSOIRES

Une gamme complète d'accessoires est disponible auprès de votre fournisseur Delta, centres de réparation de l'usine Porter-Cable - Delta et centres de réparation agréés Delta. Veuillez consulter le site Web [www.deltamachinery.com](http://www.deltamachinery.com) pour un catalogue ou le nom du fournisseur le plus près de chez vous.

**⚠ AVERTISSEMENT** puisque les accessoires autres que ceux offerts par Delta n'ont pas été testés avec ce produit, l'utilisation de ceux-ci pourrait s'avérer dangereux. Pour un fonctionnement en toute sécurité, utiliser seulement les accessoires recommandés Delta avec ce produit.



## PIÈCES RÉPARATION OU AIDE À PROPOS DE LA GARANTIE

Tous les outils et accessoires Delta sont fabriqués selon des normes de qualité élevées et sont réparés par un réseau de centres de réparation de l'usine Porter-Cable - Delta et de centres de réparation agréés Delta. Pour de plus amples renseignements à propos des produits de qualité Delta ou pour l'obtention de pièces, réparations, aide à la garantie ou l'emplacement du centre de réparation le plus près de chez vous, composer le 1-800-223-7278 (au Canada, composer le 1-800-463-3582).



### Garantie limitée de deux ans

Delta réparera ou remplacera, à ses frais et à sa discrétion, toute machine Delta, pièce de rechange ou tout accessoire qui, dans des circonstances d'utilisation normale, s'est avéré défectueux en raison de défauts de matériau ou de fabrication, à condition que le client retourne le produit (transport payé d'avance) au centre de réparation de l'usine Delta ou à un centre de réparation autorisé accompagné d'une preuve d'achat et ce, dans les deux ans de la date d'achat du produit, et fournisse à Delta une opportunité raisonnable de vérifier le défaut présumé par une inspection. Delta peut demander que les moteurs électriques soient retournés (transport payé d'avance) à un centre de réparation autorisé du fabricant du moteur en vue d'une inspection, d'une réparation ou d'un remplacement.

Delta ne peut être tenu pour responsable des défauts résultants de l'usure normale, de la mauvaise utilisation, de l'abus, de la réparation ou de la modification du produit, sauf en cas d'autorisation spécifique d'un centre de réparation ou d'un représentant Delta autorisé. En aucune circonstance Delta ne peut être tenu pour responsable des dommages accidentels ou indirects résultant d'un produit défectueux. Cette garantie constitue la seule garantie de Delta et le recours exclusif des clients en ce qui concerne les produits défectueux; toutes les autres garanties, expresses ou implicites, de qualité marchande, d'adéquation à un usage particulier, ou autre, sont expressément déclinées par Delta.

**PORTER-CABLE · DELTA SERVICE CENTERS  
(CENTROS DE SERVICIO DE PORTER-CABLE · DELTA)  
(CENTRES DE RÉPARATION PORTER-CABLE · DELTA)**

Parts and Repair Service for Porter-Cable · Delta Machinery are Available at These Locations  
(Obtenga Refaccion de Partes o Servicio para su Herramienta en los Siguientes Centros de Porter-Cable · Delta)  
(Des pièces et des centres de réparation de Porter-Cable Delta sont disponibles à ces emplacements)

**ARIZONA**  
Phoenix 85013-2906  
4501 N. 7th Ave.  
Phone: (602) 279-6414  
Fax: (602) 279-5470

**CALIFORNIA**  
Ontario 91761 (Los Angeles)  
3949A East Guasti Road  
Phone: (909) 390-5555  
Fax: (909) 390-5554

San Diego 92111  
7290 Clairemont Mesa Blvd.  
Phone: (858) 279-2011  
Fax: (858) 279-0362

San Leandro 94577 (Oakland)  
3039 Teagarden Street  
Phone: (510) 357-9762  
Fax: (510) 357-7939

**COLORADO**  
Denver 80223  
700 West Mississippi Ave.  
Phone: (303) 922-8325  
Fax: (303) 922-0245

**FLORIDA**  
Davie 33314 (Miami)  
4343 South State Rd. 7 (441)  
Unit #107  
Phone: (954) 321-6635  
Fax: (954) 321-6638

Tampa 33634  
4909 West Waters Ave.  
Phone: (813) 884-0434  
Fax: (813) 888-5997

**GEORGIA**  
Forest Park 30297 (Atlanta)  
5442 Frontage Road,  
Suite 112  
Phone: (404) 608-0006  
Fax: (404) 608-1123

**ILLINOIS**  
Addison 60101 (Chicago)  
400 South Rohlwing Rd.  
Phone: (630) 424-8805  
Fax: (630) 424-8895

**KANSAS**  
Overland Park 66214  
9201 Quivira Road  
Phone: (913) 495-4330  
Fax: (913) 495-4378

**MARYLAND**  
Elkridge 21075 (Baltimore)  
7397-102 Washington Blvd.  
Phone: (410) 799-9394  
Fax: (410) 799-9398

**MASSACHUSETTS**  
Franklin 02038 (Boston)  
Franklin Industrial Park  
101E Constitution Blvd.  
Phone: (508) 520-8802  
Fax: (508) 528-8089

**MICHIGAN**  
Madison Heights 48071 (Detroit)  
30475 Stephenson Highway  
Phone: (248) 597-5000  
Fax: (248) 597-5004

**MINNESOTA**  
Eden Prairie 55344  
9709 Valley View Road  
Phone: (952) 884-9191  
Fax: (952) 884-3750

**MISSOURI**  
St. Louis 63146  
11477 Page Service Drive  
Phone: (314) 997-9100  
Fax: (314) 997-9183

**NEW YORK**  
Flushing 11365-1595 (N.Y.C.)  
175-25 Horace Harding Expwy.  
Phone: (718) 225-2040  
Fax: (718) 423-9619

**NORTH CAROLINA**  
Charlotte 28270  
9129 Monroe Road, Suite 115  
Phone: (704) 841-1176  
Fax: (704) 708-4625

**OHIO**  
Columbus 43229  
1948 Schrock Road  
Phone: (614) 895-3112  
Fax: (614) 895-3187

Parma Heights OH 44130  
6485 Pearl Road  
Phone: (440) 842-9100  
Fax: (440) 884-3430

**OREGON**  
Portland 97230  
14811 North East Airport Way  
Phone: (503) 255-6556  
Fax: (503) 255-6543

**PENNSYLVANIA**  
Willow Grove 19090  
(Philadelphia)  
520 North York Road  
Phone: (215) 658-1430  
Fax: (215) 658-1433

**TEXAS**  
Carrollton 75006 (Dallas)  
1300 Interstate 35 N, Suite 112  
Phone: (972) 446-2996  
Fax: (972) 446-8157

Houston 77022-2122  
536 East Tidwell Rd.  
Phone: (713) 692-7111  
Fax: (713) 692-1107

**WASHINGTON**  
Auburn 98001(Seattle)  
3320 West Valley HWY, North  
Building D, Suite 111  
Phone: (253) 333-8353  
Fax: (253) 333-9613

Authorized Service Stations are located in many large cities. Telephone **800-438-2486** or **731-541-6042** for assistance locating one. Parts and accessories for Porter-Cable·Delta products should be obtained by contacting any Porter-Cable·Delta Distributor, Authorized Service Center, or Porter-Cable·Delta Factory Service Center. If you do not have access to any of these, call **800-223-7278** and you will be directed to the nearest Porter-Cable·Delta Factory Service Center. Las Estaciones de Servicio Autorizadas están ubicadas en muchas grandes ciudades. Llame al **800-438-2486** ó al **731-541-6042** para obtener asistencia a fin de localizar una. Las piezas y los accesorios para los productos Porter-Cable·Delta deben obtenerse poniéndose en contacto con cualquier distribuidor Porter-Cable·Delta, Centro de Servicio Autorizado o Centro de Servicio de Fábrica Porter-Cable·Delta. Si no tiene acceso a ninguna de estas opciones, llame al **800-223-7278** y le dirigirán al Centro de Servicio de Fábrica Porter-Cable·Delta más cercano. Des centres de réparation agréés sont situés dans plusieurs grandes villes. Pour repérer un centre, composer le **800-438-2486** ou le **731-541-6042**. Communiquer avec un distributeur, un centre de réparation agréé ou un centre de réparation de l'usine Porter-Cable Delta pour obtenir toutes pièces ou accessoires pour tous produits Porter-Cable Delta. Si aucun n'est disponible, composer le **800-223-7278** et vous serez redirigés vers le centre de réparation de l'usine Porter-Cable Delta le plus près de chez vous.

**CANADIAN PORTER-CABLE · DELTA SERVICE CENTERS  
CENTROS DE MANTENIMIENTO DELTA DE PORTER-CABLE DE CANADÁ  
CENTRES CANADIENS DE RÉPARATION PORTER-CABLE DELTA**

**ALBERTA**  
Bay 6, 2520-23rd St. N.E.  
Calgary, Alberta  
T2E 8L2  
Phone: (403) 735-6166  
Fax: (403) 735-6144

**BRITISH COLUMBIA**  
8520 Baxter Place  
Burnaby, B.C.  
V5A 4T8  
Phone: (604) 420-0102  
Fax: (604) 420-3522

**MANITOBA**  
1699 Dublin Avenue  
Winnipeg, Manitoba  
R3H 0H2  
Phone: (204) 633-9259  
Fax: (204) 632-1976

**ONTARIO**  
505 Southgate Drive  
Guelph, Ontario  
N1H 6M7  
Phone: (519) 767-4132  
Fax: (519) 767-4131

**QUÉBEC**  
1515 ave.  
St-Jean Baptiste, Suite 160  
Québec, Québec  
G2E 5E2  
Phone: (418) 877-7112  
Fax: (418) 877-7123

1447, Begin  
St-Laurent, (Montréal),  
Québec  
H4R 1V8  
Phone: (514) 336-8772  
Fax: (514) 336-3505

The following are trademarks of PORTER-CABLE · DELTA (Las siguientes son marcas registradas de PORTER-CABLE · DELTA S.A.) (Les marques suivantes sont des marques de fabricant de la PORTER-CABLE · DELTA): Auto-Set®, BAMMER®, B.O.S.S.®, Builder's Saw®, Contractor's Saw®, Contractor's Saw II™, Delta®, DELTACRAFT®, DELTAGRAM™, Delta Series 2000™, DURATRONIC™, Emc™, FLEX®, Flying Chips™, FRAME SAW®, Grip Vac™, Homecraft®, INNOVATION THAT WORKS®, Jet-Lock®, JETSTREAM®, 'kickstand®, LASERLOC®, MICRO-SET®, Micro-Set®, MIDI LATHÉ®, MORTEN™, NETWORK™, OMNIJIG®, POCKET CUTTER®, PORTA-BAND®, PORTA-PLANE®, PORTER-CABLE®&(design), PORTER-CABLE®PROFESSIONAL POWER TOOLS, PORTER-CABLE REDEFINING PERFORMANCE™, Posi-Matic®, Q-3®&(design), QUICKSAND®&(design), QUICKSET™, QUICKSET II®, QUICKSET PLUS™, RIPTIDE™&(design), SAFE GUARD II®, SAFE-LOC®, Sanding Center®, SANDTRAP®&(design), SAW BOSS®, Sawbuck™, Sidekick®, SPEED-BLOC®, SPEEDMATIC®, SPEEDTRONIC®, STAIR EASE®, The American Woodshop®&(design), The Lumber Company®&(design), THE PROFESSIONAL EDGE®, THE PROFESSIONAL SELECT®, THIN-LINE™, TIGER®, TIGER CUB®, TIGER SAW®, TORQBUSTER®, TORQ-BUSTER®, TRU-MATCH™, TWIN-LITE®, UNIGUARD®, Unifence®, UNIFEEDER™, Unihead®, Uniplane™, Unirip®, Unisaw®, Univise®, Versa-Feeder®, VERSA-PLANE®, WHISPER SERIES®, WOODWORKER'S CHOICE™.

Trademarks noted with ™ and ® are registered in the United States Patent and Trademark Office and may also be registered in other countries. Las Marcas Registradas con el signo de ™ y ® son registradas por la Oficina de Registros y Patentes de los Estados Unidos y también pueden estar registradas en otros países. Les marques de commerce affichant les symboles ™ et ® sont enregistrées auprès du United States Patent and Trademark Office et peuvent être enregistrées dans d'autres pays.

Printed in China